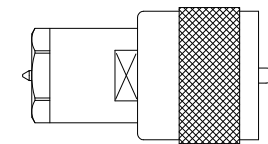
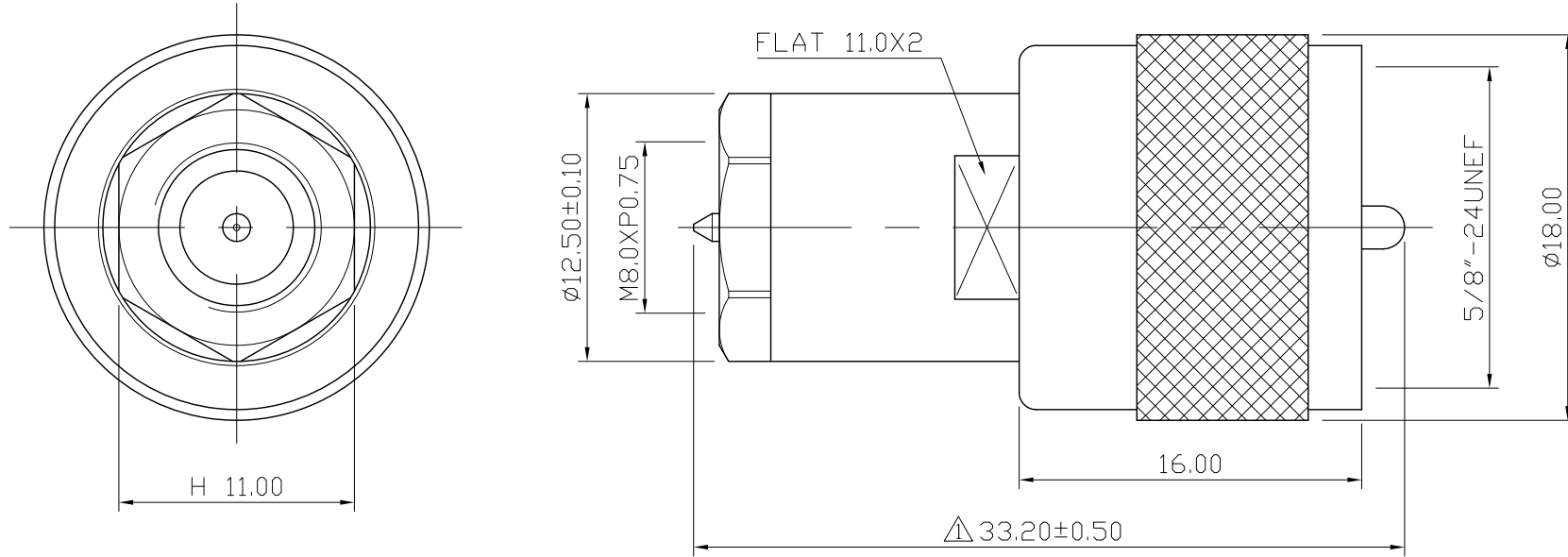



No.	DATE	DESCRIPTION	REV	REMARK : RoHS REQUIREMENT APPLIED (符合RoHS)	DATE	DRAWING NO.
△	2009. 09. 07	Original dimation 32.00±0.50	A			



S 1 : 1

-						DIMENSIONS ARE IN MILLIMETERS  UNLESS OTHERWISE PECIFIED TOLERANCES (一般公差) 0.5~6 = ±0.2 >6~30 = ±0.4 >30~120 = ±0.6 >120~315 = ±1 >315~1000 = ±1.6 ANGLES(角度) = ±5°	CHECKED	 雅鈦企業有限公司 Aec Connectors Co., Ltd.	
-	shell	1	brass	nickel					DRAWN <i>Lala</i>
-	insulator	1	delrin	white			DATE 2009. 04. 06		
-	contact pin	1	brass	gold					FILE NO. DRAWINGRFDVTADT-1407S-FE15DA-US15DA
-	body	1	brass	nickel					
NO.	Description	Unit	Materials	Finish	Drawing No.		SCALE 3 : 1		UNIT MM