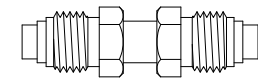
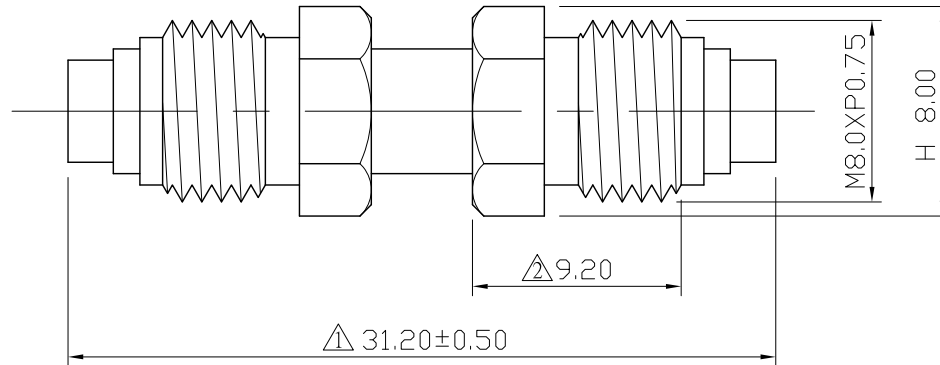



No.	DATE	DESCRIPTION	REV	REMARK : RoHS REQUIREMENT APPLIED (符合RoHS)	DATE	DRAWING NO.
①	2009. 09. 04	Original dimation 34.00	A			
②	2009. 09. 04	Original dimation 9.00				



S 1 : 1

-						DIMENSIONS ARE IN MILLIMETERS UNLESS OTRWISE PECIFIED TOLERANCES (一般公差) 0.5~6 = ±0.2 >6~30 = ±0.4 >30~120 = ±0.6 >120~315 = ±1 >315~1000 = ±1.6 ANGLES(角度) = ±5°	CHECKED	 雅鈦企業有限公司 Aec Connectors Co., Ltd.			
-	hex. nut	2	brass	nickel			DRAWN		TITLE		
-	insulator	2	delrin	white			<i>Lala</i>		FME DOUBLE FEMALE		
-	contact pin	1	brass	gold			DATE	DRAWING NO.			
-	body	1	brass	nickel			2008. 08. 19	ADT-1411S-FE25DA-FE25DA			
NO.	Description	Unit	Materials	Finish	Drawing No.		SCALE	3 : 1	UNIT	MM	FILE NO.