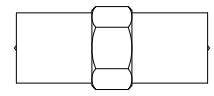
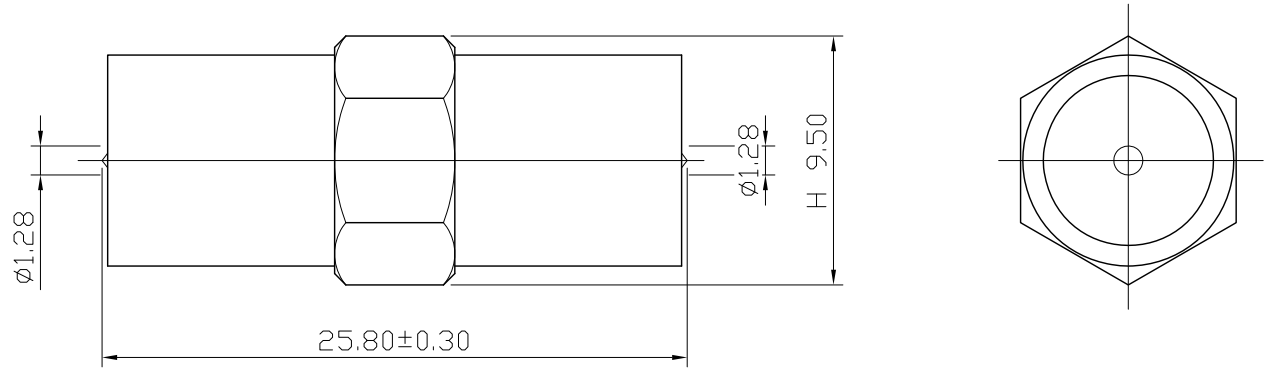



No.	DATE	DESCRIPTION	REV	REMARK : RoHS REQUIREMENT APPLIED (符合RoHS)	DATE	DRAWING NO.
-----	------	-------------	-----	---	------	-------------



S 1 : 1

-					DIMENSIONS ARE IN MILLIMETERS UNLESS OTHERWISE SPECIFIED TOLERANCES (一般公差) 0.5~6 = ±0.2 >6~30 = ±0.4 >30~120 = ±0.6 >120~315 = ±1 >315~1000 = ±1.6 ANGLES(角度) = ±5°	CHECKED	 雅鈦企業有限公司 Aec Connectors Co., Ltd.				
-						DRAWN		TITLE			
-							<i>Lala</i>	FME DOUBLE MALE			
-	contact pin	1	brass	gold				DRAWING NO.			
-	insulator	1	delrin	white				ADT-1421S-FE15DA-FE15DA			
-	body	1	brass	nickel				FILE NO. DRAWINGR\FADT\ADT-1421S-FE15DA-FE15DA			
NO.	Description	Unit	Materials	Finish	Drawing No.	SCALE	3 : 1	UNIT	MM	DATE	2009. 07. 28