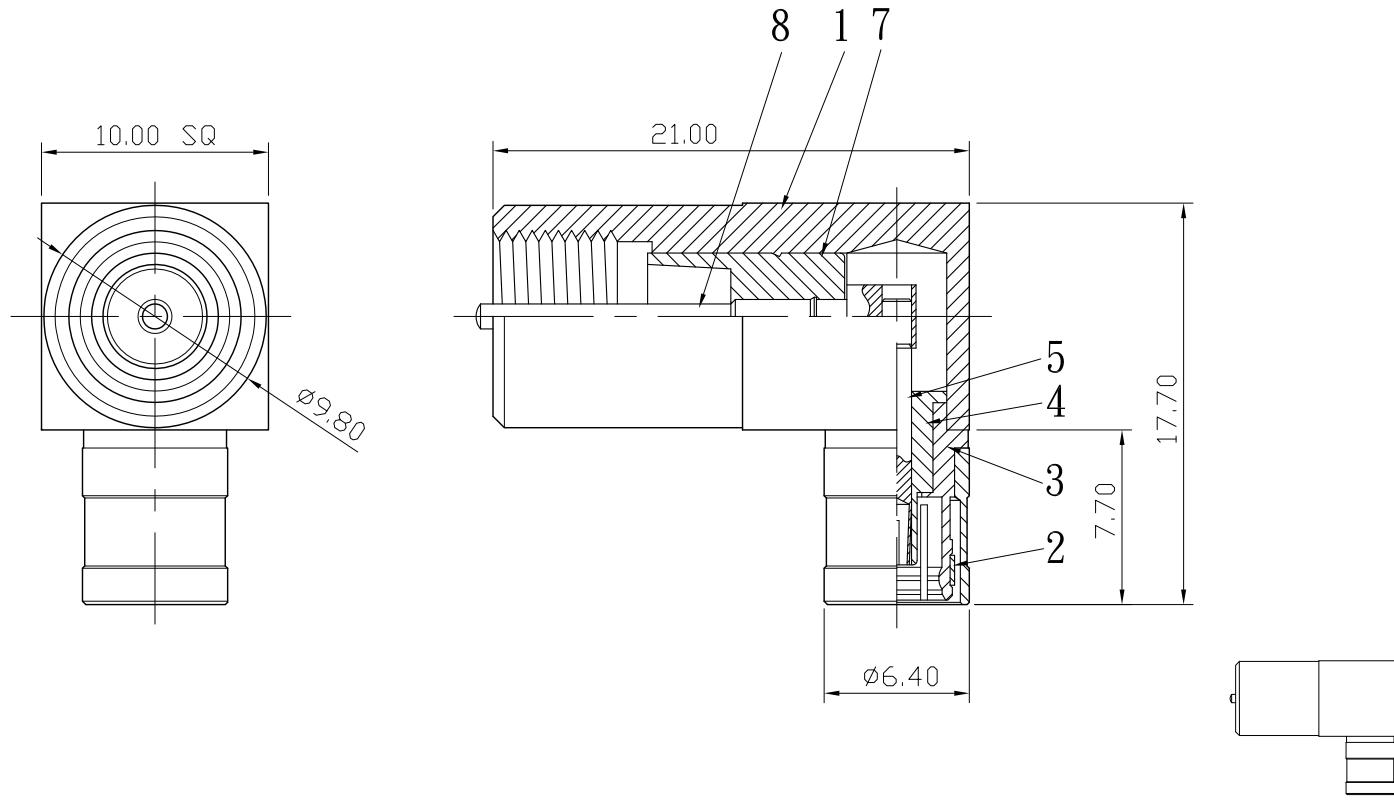


No.	DATE	DESCRIPTION	REV	REMARK : RoHS REQUIREMENT APPLIED (符合RoHS)	DATE	DRAWING NO.
-----	------	-------------	-----	---	------	-------------



S 1 : 1

8	contact pin	1	brass	gold	
7	insulator	1	PTFE	gold	
6	body	1	brass	gold	
5	contact pin	1	phosphor bronze	gold	
4	insulator	1	PTFE	gold	
3	body	1	brass	white	
2	Cring	1	beryllium copper	gold	
1	shell	1	brass	gold	
NO.	Description	Unit	Materials	Finish	Drawing No.


DIMENSIONS ARE IN MILLIMETERS  
UNLESS OTHERWISE SPECIFIED  
TOLERANCES  
(一般公差)  
0.5~6 = ±0.2  
>6~30 = ±0.4  
>30~120 = ±0.6  
>120~315 = ±1  
>315~1000 = ±1.6  
ANGLES(角度) = ±5°

SCALE 3 : 1 UNIT MM

CHECKED

DRAWN  
*Lala*

DATE  
2008. 10. 03



雅鈦企業有限公司  
Aec Connectors Co., Ltd.

TITLE  
FME PLUG TO SMB PLUG

DRAWING NO.  
ADT-1423R-FE15TG-SB15TB

FILE NO. DRAWING\RFVADT\ADT-1423R-FE15TG-SB15TB