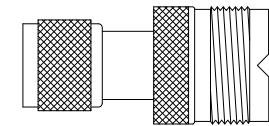
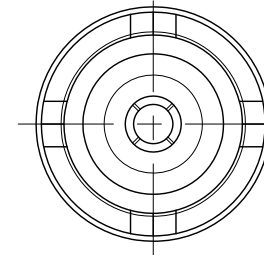
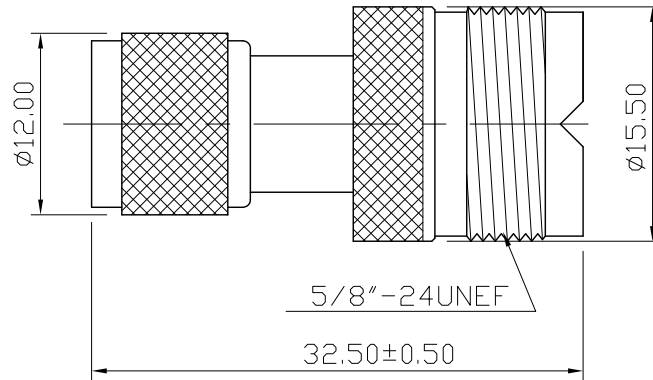



No.	DATE	DESCRIPTION	REV	REMARK : RoHS REQUIREMENT APPLIED (符合RoHS)	DATE	DRAWING NO.
-----	------	-------------	-----	---	------	-------------



S 1 : 1

-						DIMENSIONS ARE IN MILLIMETERS	CHECKED	 雅鈦企業有限公司 Aec Connectors Co., Ltd.
-								
-	contact pin	1	brass	gold		SCALE 2 : 1 UNIT MM	DRAWN <i>Lala</i>	DRAWING NO. ADT-1606S-MU15DA-US25DA
-	shell	1	brass	nickel			DATE 2008. 11. 03	FILE NO. DRAWINGRFADT\ADT-1606S-MU15DA-US25DA
-	insulator	1	POM	white				
-	contact pin	1	brass	gold				
-	body	1	brass	nickel				
NO.	Description	Unit	Materials	Finish	Drawing No.			