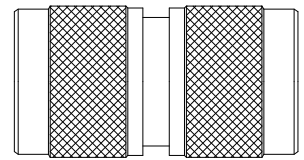
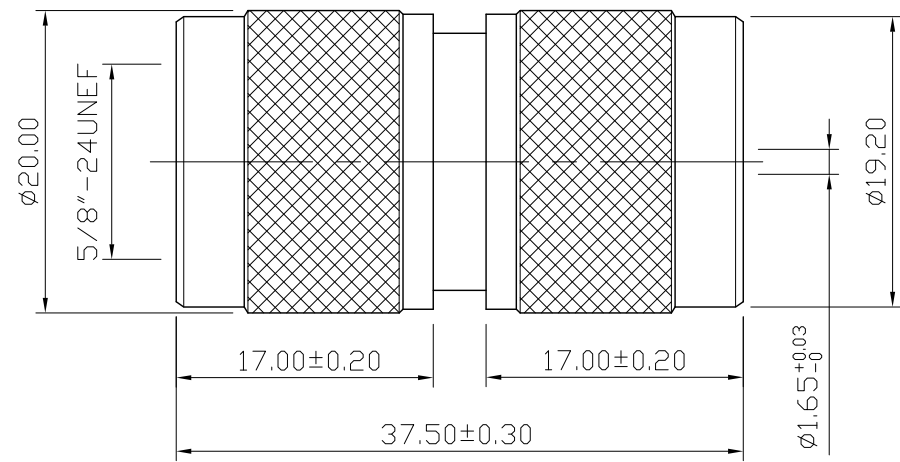
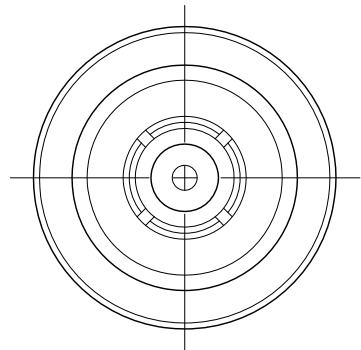



No.	DATE	DESCRIPTION	REV	REMARK : RoHS REQUIREMENT APPLIED (符合RoHS)	DATE	DRAWING NO.
-----	------	-------------	-----	---	------	-------------



S 1 : 1

-	washer	2	brass	none	DIMENSIONS ARE IN MILLIMETERS UNLESS OTHERWISE SPECIFIED TOLERANCES (一般公差) 0.5~6 = ±0.2 >6~30 = ±0.4 >30~120 = ±0.6 >120~315 = ±1 >315~1000 = ±1.6 ANGLES(角度) = ±5°	CHECKED	 雅鈦企業有限公司 Aec Connectors Co., Ltd.	
-	gasket	2	rubber	red				
-	insulator	1	POM	white		DRAWN <i>Jim</i>		TITLE N MALE TO MALE
-	contact pin	1	brass	gold				DATE 2010. 01. 19
-	body	1	brass	nickel		FILE NO. DRAWING\RF\ADT\ADT-1901S-NS15DA-NS15DA		
-	body	1	brass	nickel				
-	shell	2	brass	nickel				
NO.	Description	Unit	Materials	Finish		Drawing No.		SCALE 2 : 1