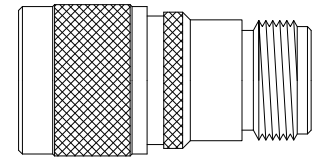
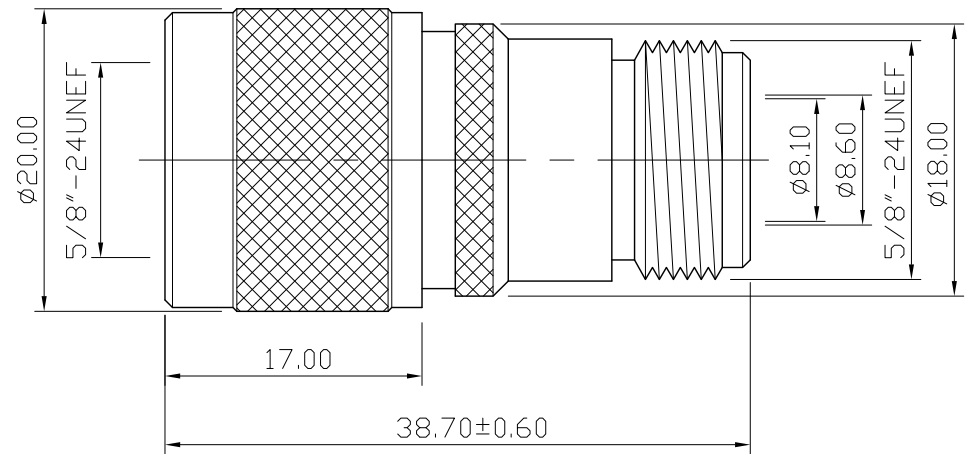
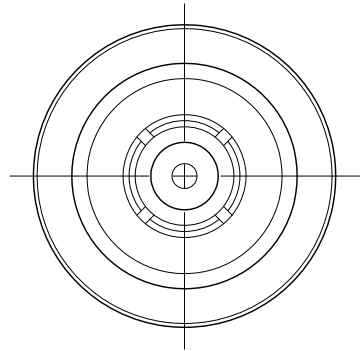



No.	DATE	DESCRIPTION	REV	REMARK : RoHS REQUIREMENT APPLIED (符合RoHS)	DATE	DRAWING NO.
-----	------	-------------	-----	---	------	-------------



S 1 : 1

-	washer	1	brass	none		DIMENSIONS ARE IN MILLIMETERS  UNLESS OTHERWISE PECIFIED TOLERANCES (一般公差) 0.5~6 = ±0.2 >6~30 = ±0.4 >30~120 = ±0.6 >120~315 = ±1 >315~1000 = ±1.6 ANGLES(角度) = ±5°	CHECKED
-	gasket	1	rubber	red			
-	insulator	1	POM	white			DRAWN <i>Jim</i>
-	contact pin	1	brass	gold			
-	body	1	brass	nickel			
-	body	1	brass	nickel			
-	shell	1	brass	nickel			
NO.	Description	Unit	Materials	Finish	Drawing No.		

 雅鈦企業有限公司 Aec Connectors Co., Ltd.	TITLE N MALE TO N FEMALE
	DRAWING NO. ADT-1902S-NS15DA-NS25DA
FILE NO. DRAWING\RF\ADT\ADT-1902S-NS15DA-NS25DA	