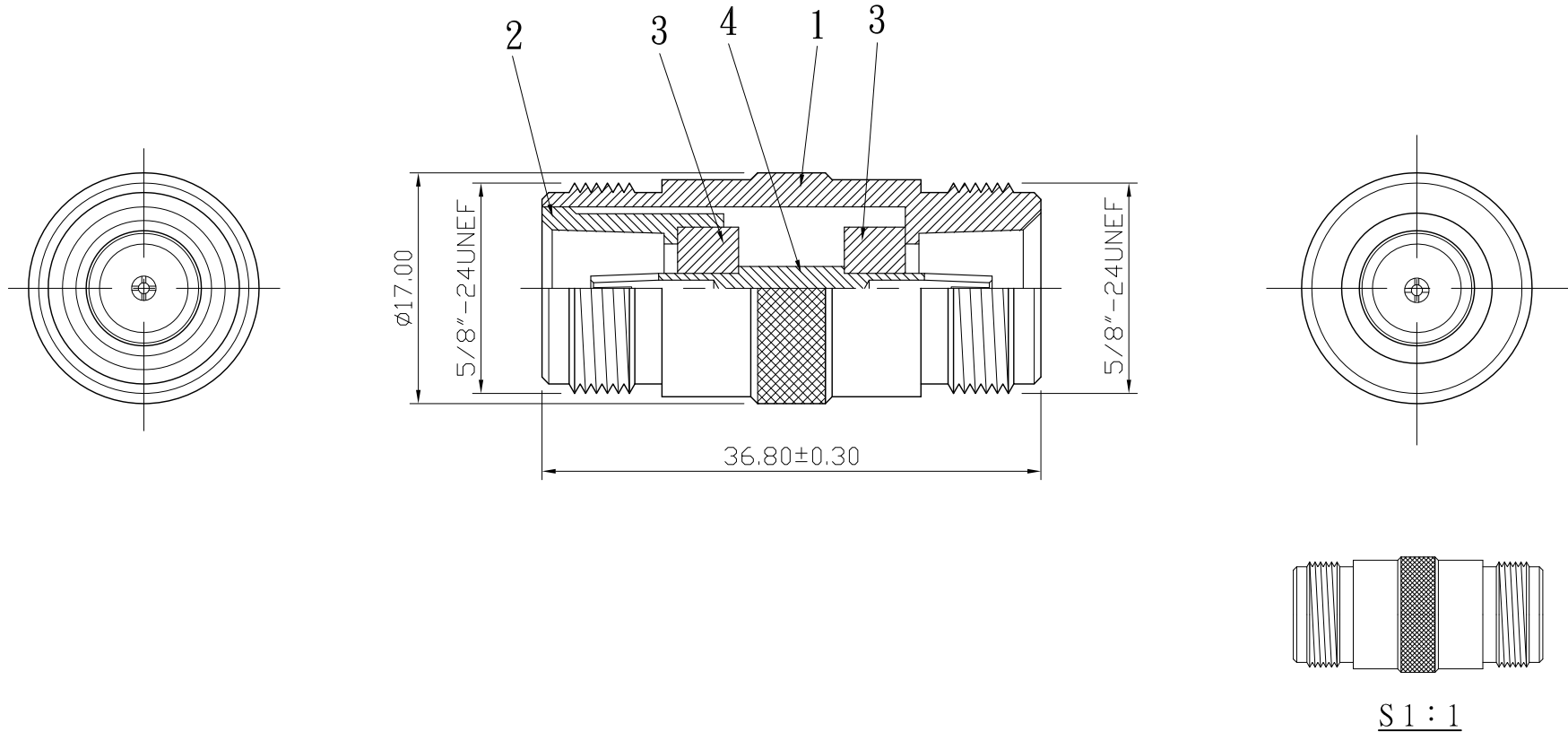



No.	DATE	DESCRIPTION	REV	REMARK : RoHS REQUIREMENT APPLIED (符合RoHS)	DATE	DRAWING NO.
					2008. 11. 21	NS-1021NG-DEL(50)



7						DIMENSIONS ARE IN MILLIMETERS UNLESS OTHERWISE SPECIFIED TOLERANCES (一般公差) 0.5~6 = ±0.2 >6~30 = ±0.4 >30~120 = ±0.6 >120~315 = ±1 >315~1000 = ±1.6 ANGLES(角度) = ±5°	CHECKED	 雅鈦企業有限公司 Aec Connectors Co., Ltd.	
6					DRAWN		TITLE		
5					<i>Lala</i>		N FEMALE TO N FEMALE		
4	contact pin	1	brass	gold			DRAWING NO.	ADT-1903S-NS25DA-NS25DA	
3	insulator	2	POM	white			DATE	FILE NO. DRAWINGR\FADT\ADT-1903S-NS25DA-NS25DA	
2	body	1	brass	nickel		2007. 09. 26			
1	body	1	brass	nickel					
NO.	Description	Unit	Materials	Finish	Drawing No.	SCALE	2 : 1	UNIT	MM