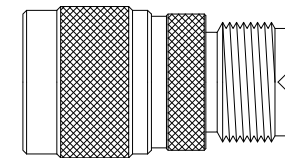
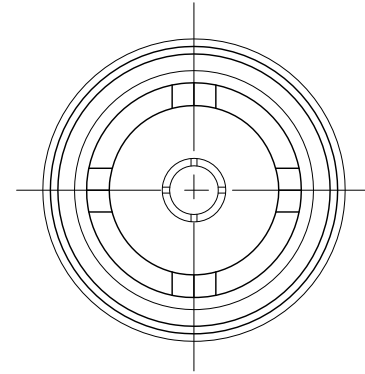
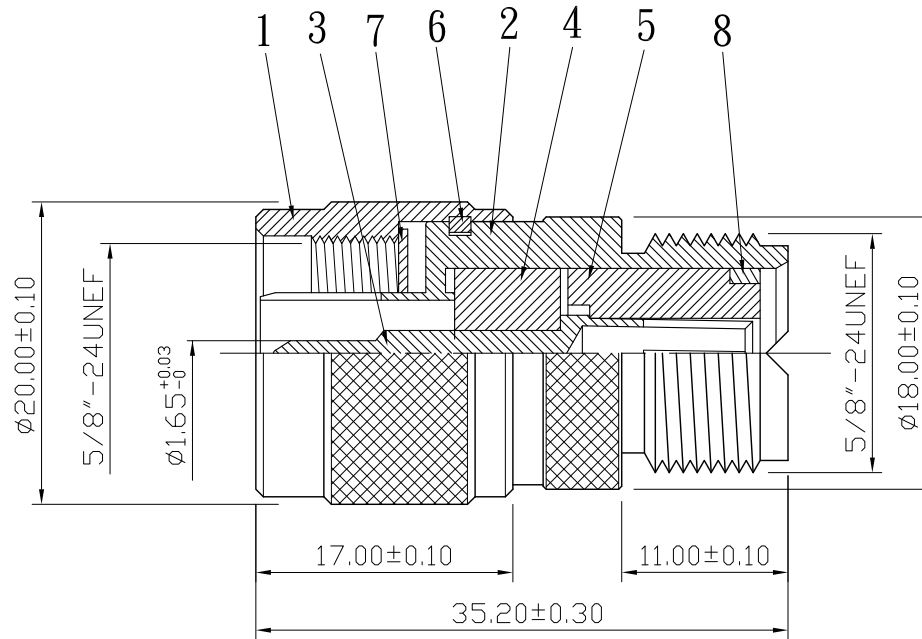


No.	DATE	DESCRIPTION	REV	REMARK : RoHS REQUIREMENT APPLIED (符合RoHS)	DATE	DRAWING NO.
					2009. 09. 03	NS-1028NG-DEL(50)



S 1 : 1

1.THE SPEC OF THE BEVEL WHICH WITHOUT REMARK IS 0.2mmx45°  
(未標註之倒角尺寸為 0.2mmx45°)

2.TOLERANCE IS ±0.08mm UNLESS OTHERWISE SPECIFIED,TOLERANCE OF THE DIAMETER IS ±0.03mm  
(未標註之公差長度為±0.08mm,直徑為±0.03mm)

8	washer	1	brass	nickel	
7	gasket	1	silicon	red	
6	washer	1	brass	none	
5	insulator	1	POM	white	
4	insulator	1	POM	white	
3	contact pin	1	brass	gold	
2	body	1	brass	nickel	
1	shell	1	brass	nickel	
NO.	Description	Unit	Materials	Finish	Drawing No.

DIMENSIONS ARE IN MILLIMETERS  
UNLESS OTHERWISE SPECIFIED  
TOLERANCES  
(一般公差)  
0.5~6 = ±0.2  
>6~30 = ±0.4  
>30~120 = ±0.6  
>120~315 = ±1  
>315~1000 = ±1.6  
ANGLES(角度) = ±5°

CHECKED

DRAWN  
*Chad*  
DATE  
2008. 02. 05



雅鈦企業有限公司  
Aec Connectors Co., Ltd.

TITLE

N MALE TO UHF FEMALE

DRAWING NO.

ADT-1910S-NS15DA-US25DA

FILE NO.

DRAWINGR\FADT\ADT-1910S-NS15DA-US25DA

SCALE 2 : 1 UNIT MM