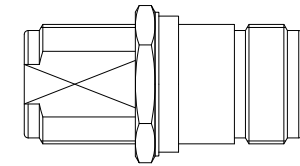
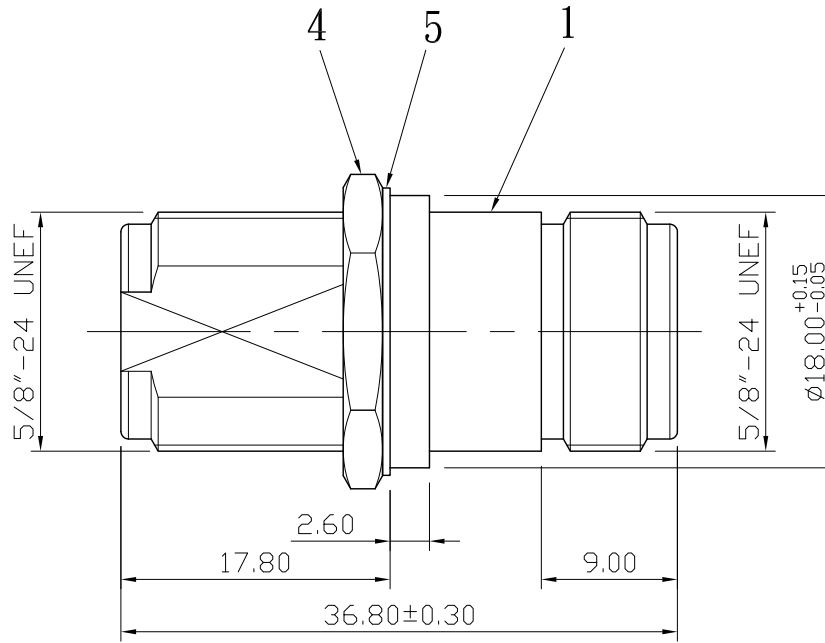
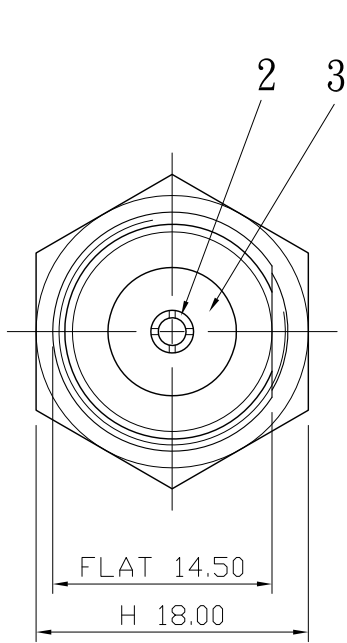



No.	DATE	DESCRIPTION	REV	REMARK : RoHS REQUIREMENT APPLIED (符合RoHS)	DATE	DRAWING NO.
					2009. 07. 21	NS-1029NG



S 1 : 1

7						DIMENSIONS ARE IN MILLIMETERS UNLESS OTHERWISE PECIFIED TOLERANCES (一般公差) 0.5~6 = ±0.2 >6~30 = ±0.4 >30~120 = ±0.6 >120~315 = ±1 >315~1000 = ±1.6 ANGLES(角度) = ±5°	CHECKED	 雅鈦企業有限公司 Aec Connectors Co., Ltd.	
6					DRAWN <i>Tina</i>				TITLE N DOUBLE FEMALE BULKHEAD, 50ohm
5	washer	1	brass	nickel					DATE 2009. 07. 21
4	nut	1	brass	nickel					FILE NO. DRAWINGR\FADT\ADT-1911S-NS25DA-NS25DA
3	insulator	2	POM	white					
2	contact pin	1	brass	gold					
1	body	1	brass	nickel					
NO.	Description	Unit	Materials	Finish	Drawing No.	SCALE	2 : 1	UNIT	MM