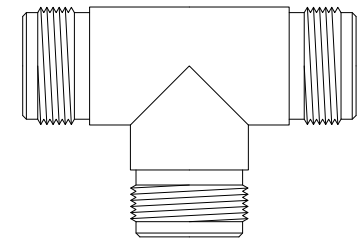
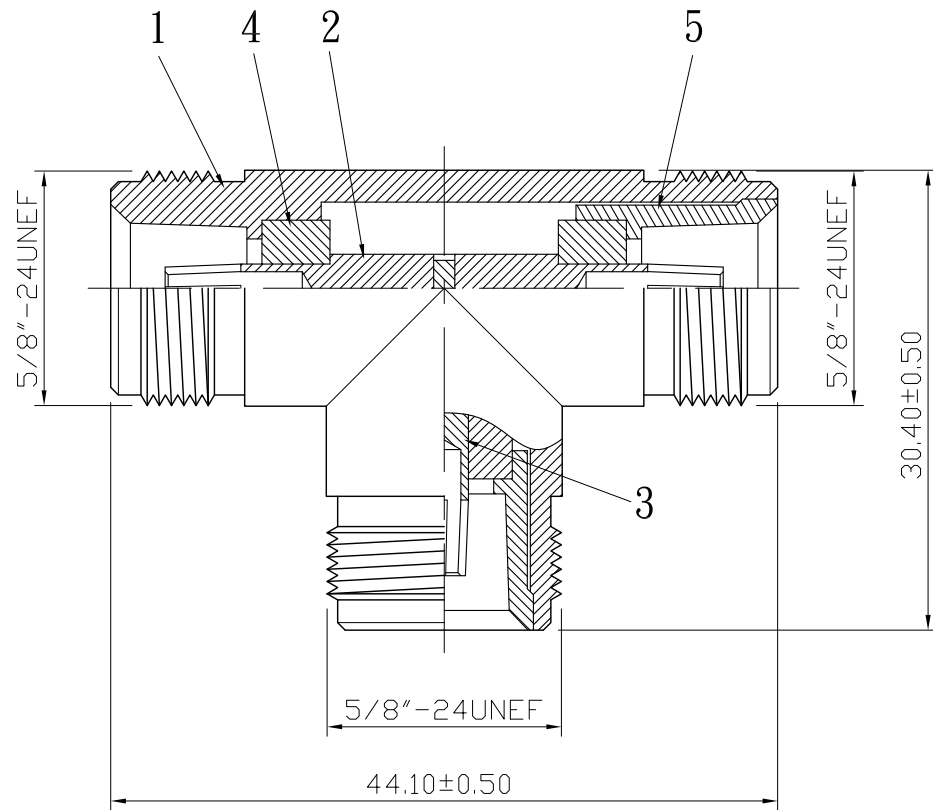



No.	DATE	DESCRIPTION	REV	REMARK : RoHS REQUIREMENT APPLIED (符合RoHS)	DATE	DRAWING NO.
-----	------	-------------	-----	---	------	-------------



S 1 : 1

7						DIMENSIONS ARE IN MILLIMETERS UNLESS OTHERWISE SPECIFIED TOLERANCES (一般公差) 0.5~6 = ±0.2 >6~30 = ±0.4 >30~120 = ±0.6 >120~315 = ±1 >315~1000 = ±1.6 ANGLES(角度) = ±5°	CHECKED	 雅鈦企業有限公司 Aec Connectors Co., Ltd.			
6							TITLE				
5	body	2	brass	nickel			DRAWN		N THREE FEMALE		
4	insulator	3	delrin	white				DRAWING NO.			
3	contact pin	1	brass	gold				ADT-1919T-NS25DA-NS25DA			
2	contact pin	1	brass	gold				FILE NO. DRAWING			
1	body	1	brass	nickel				DRFVADTVADT-1919T-NS25DA-NS25DA			
NO.	Description	Unit	Materials	Finish	Drawing No.	SCALE	2 : 1	UNIT	MM	DATE	2008. 10. 03