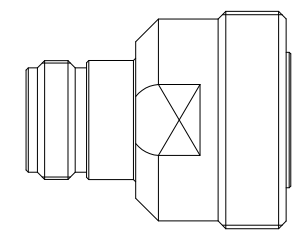
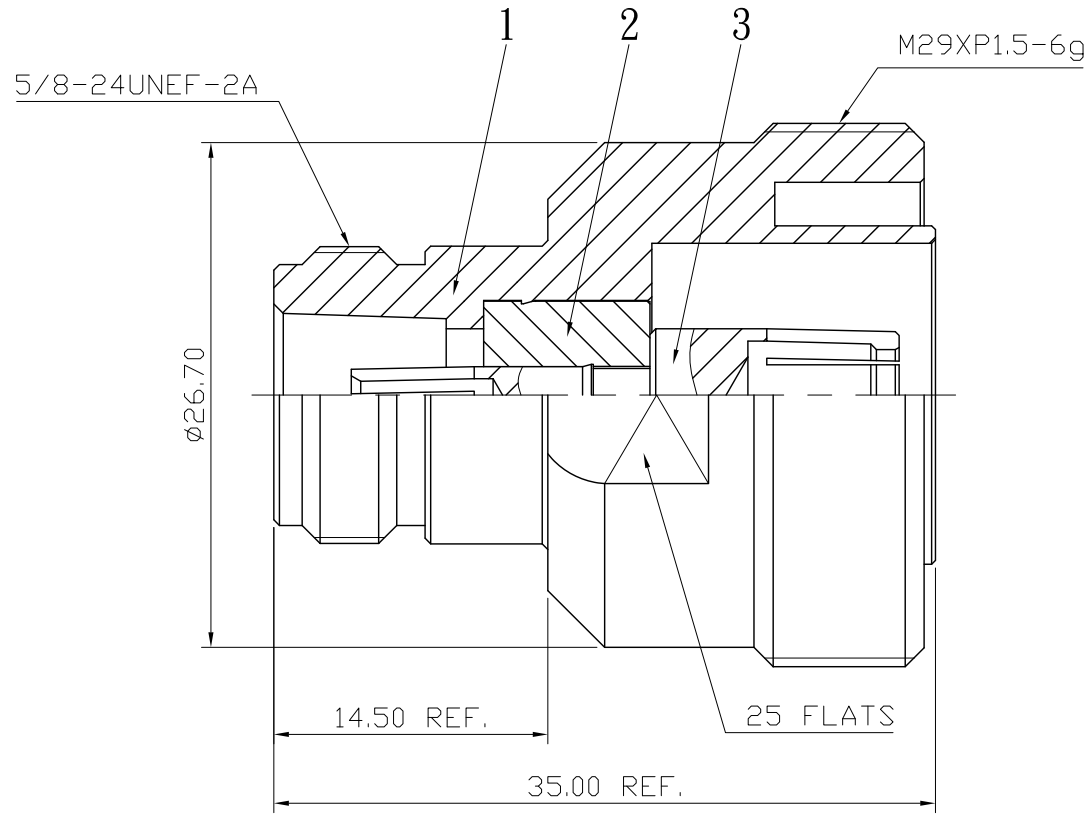



No.	DATE	DESCRIPTION	REV	REMARK : RoHS REQUIREMENT APPLIED (符合RoHS)	DATE	DRAWING NO.
-----	------	-------------	-----	---	------	-------------



S 1 : 1

7						DIMENSIONS ARE IN MILLIMETERS UNLESS OTHERWISE SPECIFIED TOLERANCES (一般公差) 0.5~6 = ±0.2 >6~30 = ±0.4 >30~120 = ±0.6 >120~315 = ±1 >315~1000 = ±1.6 ANGLES(角度) = ±5°	CHECKED	 雅鈦企業有限公司 Aec Connectors Co., Ltd.
6					DRAWN <i>Ada</i>			
5								DATE 2012. 07. 02
4								FILE NO. DRAWING\RFADT\ADT-3004S-NS25TG-71625TG
3	contact pin	1	beryllium copper	gold	OT03BE009A			
2	insulator	1	PTFE	white	NS02TF003A			
1	body	1	brass	gold	OT01BR026A			
NO.	Description	Unit	Materials	Finish	Drawing No.	SCALE 2.5 : 1	UNIT	MM