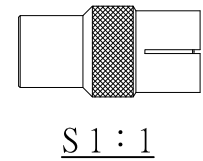
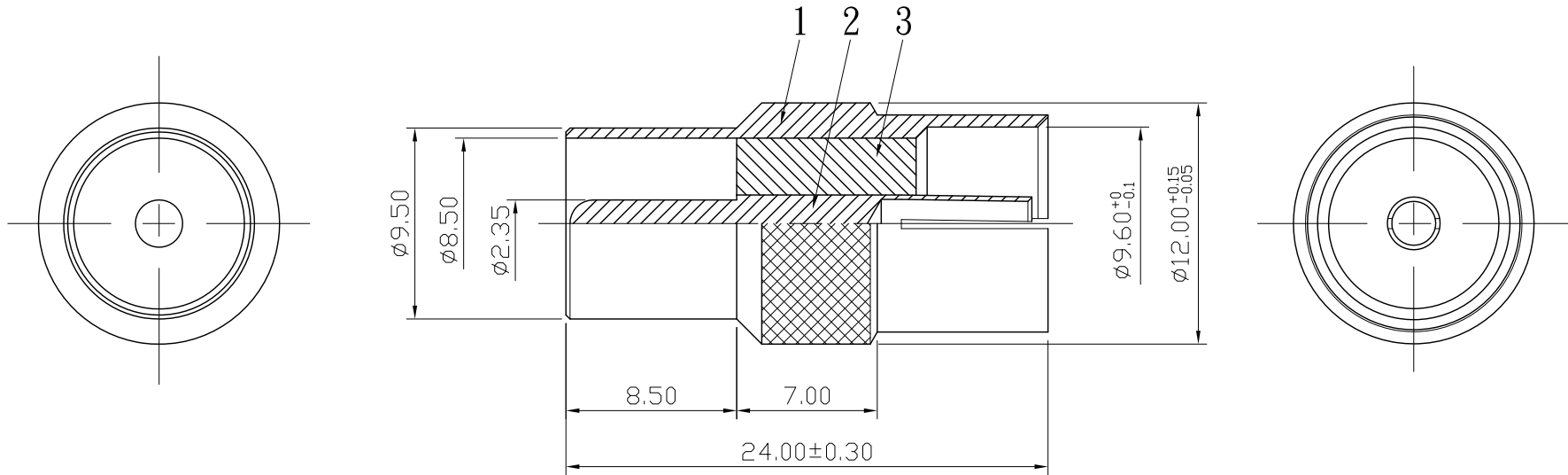



No.	DATE	DESCRIPTION	REV	REMARK : RoHS REQUIREMENT APPLIED (符合RoHS)	DATE	DRAWING NO.
-----	------	-------------	-----	---	------	-------------



7						DIMENSIONS ARE IN MILLIMETERS UNLESS OTHERWISE PECIFIED TOLERANCES (一般公差) 0.5~6 = ±0.2 >6~30 = ±0.4 >30~120 = ±0.6 >120~315 = ±1 >315~1000 = ±1.6 ANGLES(角度) = ±5°	CHECKED	 雅鈦企業有限公司 Aec Connectors Co., Ltd.
6					DRAWN		TITLE	
5					Wing		PAL 9.5 MALE TO PAL 9.5 FEMALE	
4					DATE		DRAWING NO.	
3	insulator	1	POM	white		2009. 02. 20	ADT-2002S-PL17DA-PL27DA	
2	contact pin	1	brass	gold			FILE NO. DRAWING\RFVADT\ADT-2002S-PL17DA-PL27DA	
1	body	1	brass	nickel				
NO.	Description	Unit	Materials	Finish	Drawing No.	SCALE	UNIT	MM