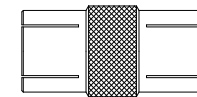
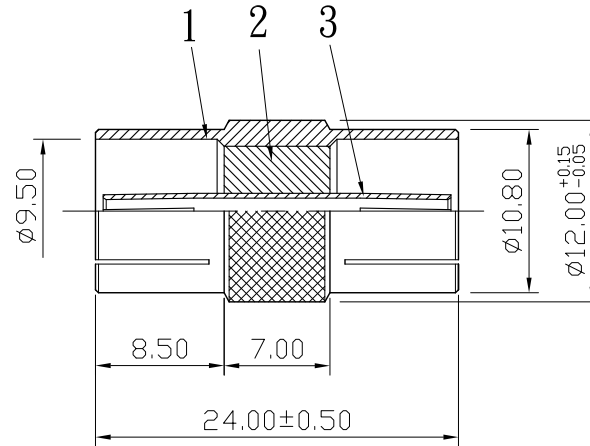
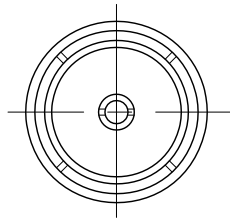



No.	DATE	DESCRIPTION	REV	REMARK : RoHS REQUIREMENT APPLIED (符合RoHS)	DATE	DRAWING NO.
-----	------	-------------	-----	---	------	-------------



S 1 : 1

7						DIMENSIONS ARE IN MILLIMETERS UNLESS OTHERWISE SPECIFIED TOLERANCES (一般公差) 0.5~6 = ±0.2 >6~30 = ±0.4 >30~120 = ±0.6 >120~315 = ±1 >315~1000 = ±1.6 ANGLES(角度) = ±5°	CHECKED	 <b>雅鈦企業有限公司</b> Aec Connectors Co., Ltd.	
6									
5									TITLE
4									PAL FEMALE TO FEMALE
3	contact pin	1	brass	nickel			DRAWN	DRAWING NO.	
2	insulator	1	POM	white			<i>Lala</i>	ADT-2006S-PL27DB-PL27DB	
1	body	1	brass	nickel			DATE	FILE NO.	
NO.	Description	Unit	Materials	Finish	Drawing No.	SCALE	2 : 1	UNIT	MM
							2010. 01. 04		
									DRAWING R/F ADT VADT-2006S-PL27DB-PL27DB