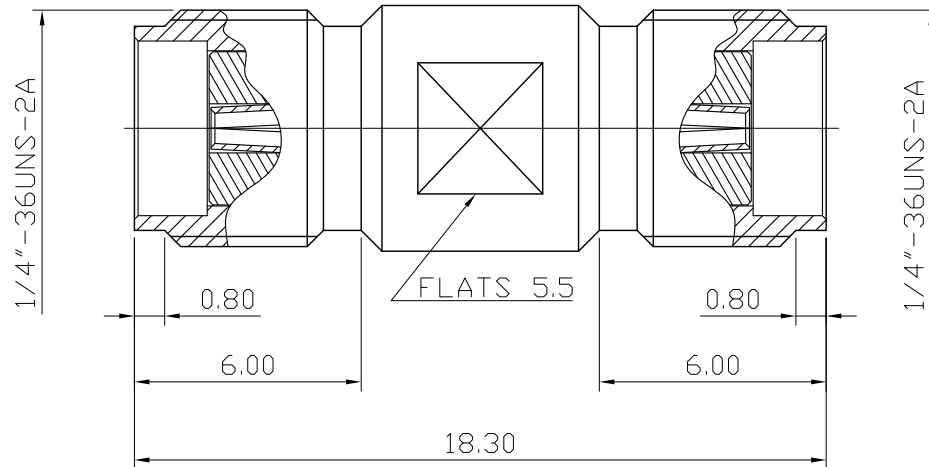
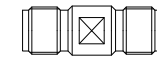


No.	DATE	DESCRIPTION	REV	REMARK : RoHS REQUIREMENT APPLIED (符合RoHS)	DATE	DRAWING NO.
-----	------	-------------	-----	---	------	-------------




Electricals:

1. Impedance: 50 ohms
2. Frequency Range : DC~18.0 GHz
3. V.S.W.R.: 1.25 max.
4. Working Voltage: 750V rms min.
5. Insulator Resistance: 5000 MΩ min.



S 1 : 1

						DIMENSIONS ARE IN MILLIMETERS UNLESS OTHERWISE SPECIFIED TOLERANCES (一般公差) 0.5~6 = ±0.2 >6~30 = ±0.4 >30~120 = ±0.6 >120~315 = ±1 >315~1000 = ±1.6 ANGLES(角度) = ±5°	CHECKED	 雅鈦企業有限公司 Aec Connectors Co., Ltd.
-	contact pin	1	beryllium copper	gold (3u")	SA03BE071A		DRAWN <i>Chad</i>	
-	insulator	1	PTFE	none	SA02TF053A		DRAWING NO. ADT-2202SA-SA25TG-SA25TG	
-	body	1	brass	gold	SA01BR082A		FILE NO. DRAWING R\FADT\ADT-2202SA-SA25TG-SA25TG	
NO.	Description	Unit	Materials	Finish	Drawing No.	SCALE 5 : 1	DATE 2014. 03. 26	