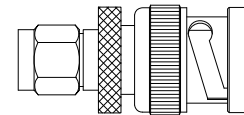
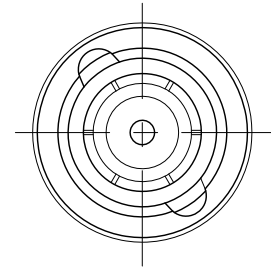
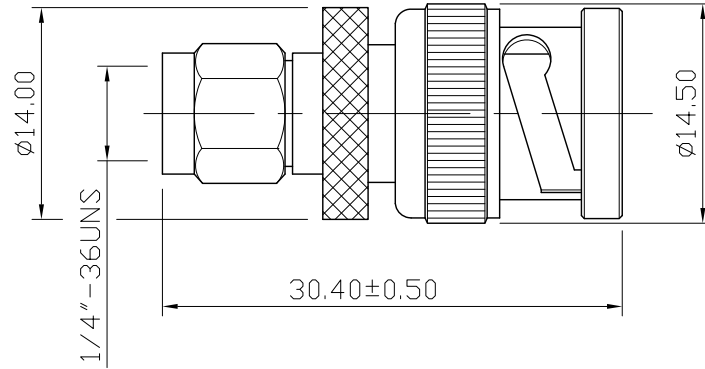
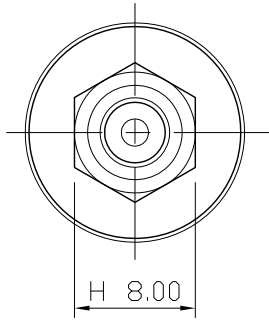


No.	DATE	DESCRIPTION	REV	REMARK : RoHS REQUIREMENT APPLIED (符合RoHS)	DATE	DRAWING NO.
					2009. 01. 15	SA-117NG-TEF(50)



S 1 : 1

-	shell	1	brass	nickel	
-	gasket	1	rubber	red	
-	washer	1	brass	nickel	
-	spring	1	SK-5	nickel	
-	washer	1	brass	nickel	
-	body	1	brass	nickel	
-	shell	1	brass	nickel	
-	gasket	1	silicon	red	
-	ring	1	brass	nickel	
-	insulator	1	PTFE	white	
-	contact pin	1	brass	gold	
-	body	1	brass	nickel	
NO.	Description	Unit	Materials	Finish	Drawing No.

DIMENSIONS ARE IN MILLIMETERS

UNLESS OTHERWISE SPECIFIED TOLERANCES  
(一般公差)  
0.5~6 = ±0.2  
>6~30 = ±0.4  
>30~120 = ±0.6  
>120~315 = ±1  
>315~1000 = ±1.6  
ANGLES(角度) = ±5°

CHECKED

DRAWN

*Jim*

DATE

2007. 09. 26



雅鈦企業有限公司  
Aec Connectors Co., Ltd.

TITLE

SMA MALE TO BNC MALE

DRAWING NO.

ADT-2204S-SA15TA-BC15TA

FILE NO.

DRAWING\RF\ADT\ADT-2204S-SA15TA-BC15TA

SCALE

2 : 1

UNIT

MM