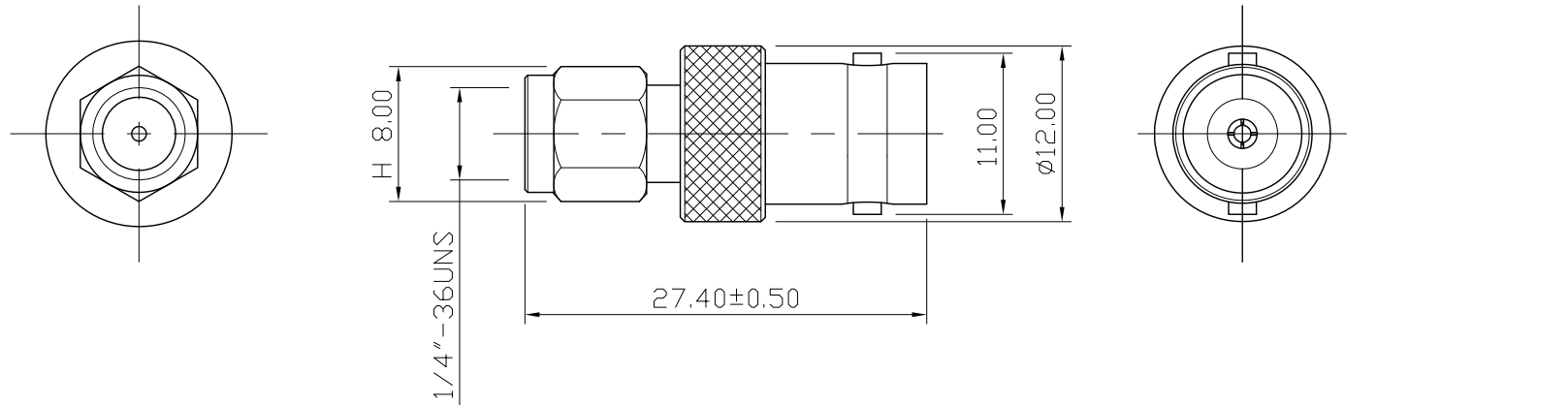



|     |      |             |     |   |              |                  |
|-----|------|-------------|-----|---|--------------|------------------|
| No. | DATE | DESCRIPTION | REV | REMARK : RoHS REQUIREMENT APPLIED<br>(符合RoHS) | DATE         | DRAWING NO.      |
|     |      |             |     |   | 2009. 01. 14 | SA-118GG-TEF(50) |



S 1 : 1

|     |             |      |           |        |             |  |         |  |    |      |              |             |                                       |
|-----|-------------|------|-----------|--------|-------------|--|---------|--|----|------|--------------|-------------|---------------------------------------|
| -   |             |      |           |        |             | DIMENSIONS ARE IN<br>MILLIMETERS<br><br>UNLESS OTHERWISE PECIFIED<br>TOLERANCES<br>(一般公差)<br>0.5~6 = ±0.2<br>>6~30 = ±0.4<br>>30~120 = ±0.6<br>>120~315 = ±1<br>>315~1000 = ±1.6<br>ANGLES(角度) = ±5° | CHECKED |  雅鈦企業有限公司<br>Aec Connectors Co., Ltd. |    |      |              |             |                                       |
| -   | shell       | 1    | brass     | gold   |             |  |         |  |    |      |              |             |                                       |
| -   | gasket      | 1    | rubber    | red    |             |  |         |  |    |      |              |             |                                       |
| -   | ring        | 1    | brass     | gold   |             |  |         |  |    |      |              |             |                                       |
| -   | insulator   | 1    | teflon    | white  |             |  |         |  |    |      |              |             |                                       |
| -   | contact pin | 1    | brass     | gold   |             |  |         |  |    |      |              |             |                                       |
| -   | body        | 1    | brass     | gold   |             |  |         |  |    |      |              |             |                                       |
| NO. | Description | Unit | Materials | Finish | Drawing No. | SCALE  | 2 : 1   | UNIT   | MM | DATE | 2008. 02. 20 | TITLE       | SMA MALE TO BNC FEMALE                |
|     |             |      |           |        |             |  |         |  |    |      |              | DRAWING NO. | ADT-2205S-SA15TG-BC25TG               |
|     |             |      |           |        |             |  |         |  |    |      |              | FILE NO.    | DRAWING\RFADT\ADT-2205S-SA15TG-BC25TG |