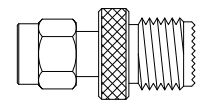
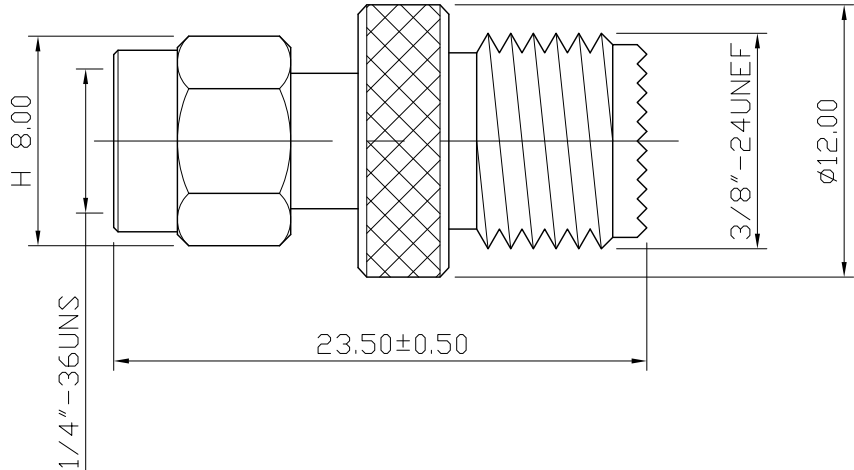
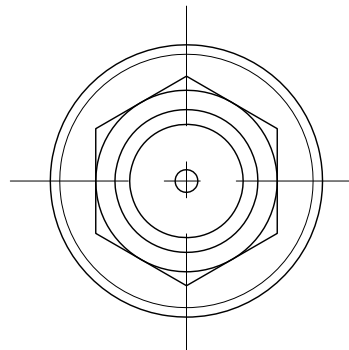



No.	DATE	DESCRIPTION	REV	REMARK : RoHS REQUIREMENT APPLIED (符合RoHS)	DATE	DRAWING NO.
-----	------	-------------	-----	---	------	-------------



S 1 : 1

-						DIMENSIONS ARE IN MILLIMETERS UNLESS OTHERWISE SPECIFIED TOLERANCES (一般公差) 0.5~6 = ±0.2 >6~30 = ±0.4 >30~120 = ±0.6 >120~315 = ±1 >315~1000 = ±1.6 ANGLES(角度) = ±5°	CHECKED	 雅鈦企業有限公司 Aec Connectors Co., Ltd.		
-	gasket	1	rubber	red						
-	shell	1	brass	gold					TITLE	SMA MALE TO MINI UHF FEMALE
-	spring	1	beryllium copper	none					DRAWING NO.	ADT-2207S-SA15TG-MU25TG
-	insulator	1	teflon	white					DATE	2009. 11. 13
-	contact pin	1	brass	gold					FILE NO.	DRAWING\RFADT\ADT-2207S-SA15TG-MU25TG
NO.	Description	Unit	Materials	Finish	Drawing No.	SCALE	3 : 1	UNIT	MM	