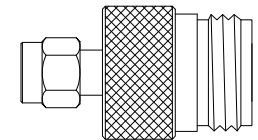
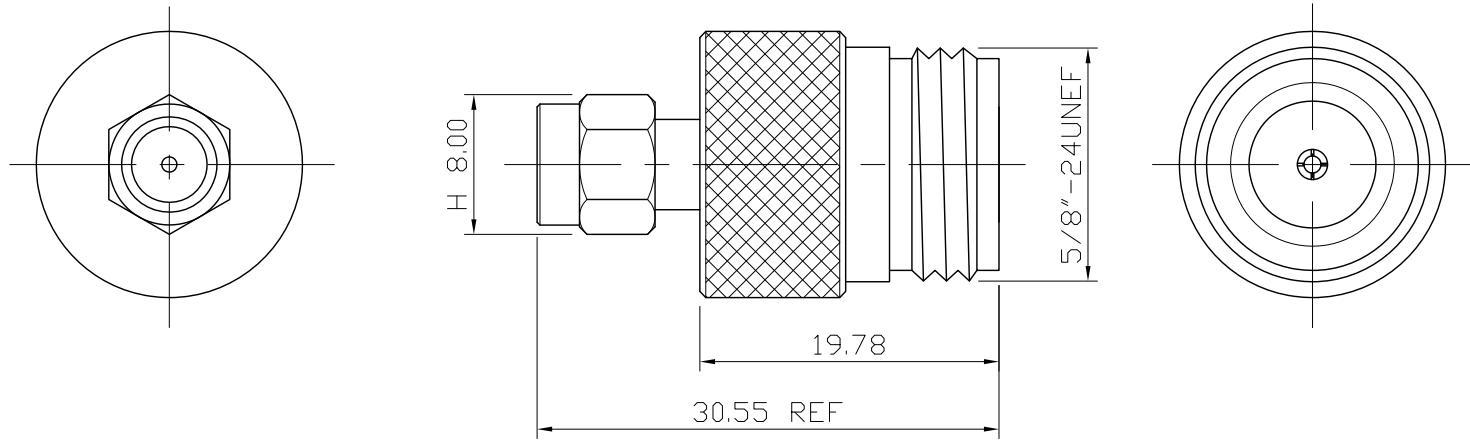


No.	DATE	DESCRIPTION	REV	REMARK : RoHS REQUIREMENT APPLIED (符合RoHS)	DATE	DRAWING NO.
					2008. 08. 22	SA-122NG-TEF(50)



S 1 : 1

-	body	1	brass	nickel	
-	insulator	1	teflon	white	
-	body	1	brass	nickel	
-	shell	1	brass	nickel	
-	ring	1	steel	nature	
-	gasket	1	rubber	red	
-	insulator	1	teflon	white	
-	contact pin	1	brass	gold	
-	body	1	brass	nickel	
NO.	Description	Unit	Materials	Finish	Drawing No.

DIMENSIONS ARE IN MILLIMETERS		
UNLESS OTHERWISE PECIFIED TOLERANCES (一般公差)		
0.5~6	= ±0.2	
>6~30	= ±0.4	
>30~120	= ±0.6	
>120~315	= ±1	
>315~1000	= ±1.6	
ANGLES(角度) = ±5°		
SCALE	2 : 1	UNIT MM

CHECKED
DRAWN <i>Lala</i>
DATE 2007. 08. 01

 <b>雅鈦企業有限公司</b> Aec Connectors Co., Ltd.	TITLE SMA MALE TO N FEMALE
	DRAWING NO. ADT-2209S-SA15TA-NS25TA
	FILE NO. DRAWING\RF\ADT\ADT-2209S-SA15TA-NS25TA