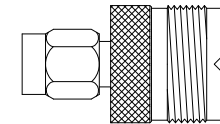
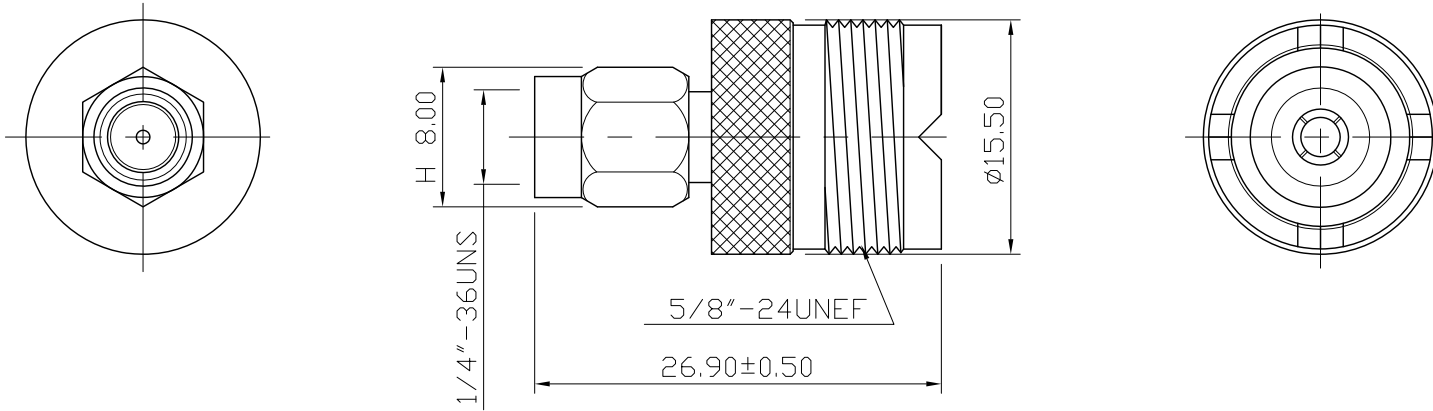



No.	DATE	DESCRIPTION	REV	REMARK : RoHS REQUIREMENT APPLIED (符合RoHS)	DATE	DRAWING NO.
					2008. 10. 28	SA-126NG-TEF(50)



S 1 : 1

7						DIMENSIONS ARE IN MILLIMETERS UNLESS OTHERWISE PECIFIED TOLERANCES (一般公差) 0.5~6 = ±0.2 >6~30 = ±0.4 >30~120 = ±0.6 >120~315 = ±1 >315~1000 = ±1.6 ANGLES(角度) = ±5°	CHECKED	 雅鈦企業有限公司 Aec Connectors Co., Ltd.	
6	shell	1	brass	nickel			DRAWN <i>Lala</i>		TITLE SMA MALE TO UHF FEMALE
5	spring	1	beryllium copper	none					DATE 2008. 01. 16
4	gasket	1	rubber	red				FILE NO. DRAWINGR\FADT\ADT-2213S-SA15TA-US25TA	
3	insulator	1	PTFE	white					
2	contact pin	1	brass	gold					
1	body	1	brass	nickel					
NO.	Description	Unit	Materials	Finish	Drawing No.	SCALE 2 : 1	UNIT	MM	