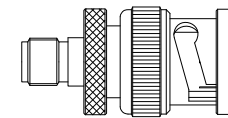
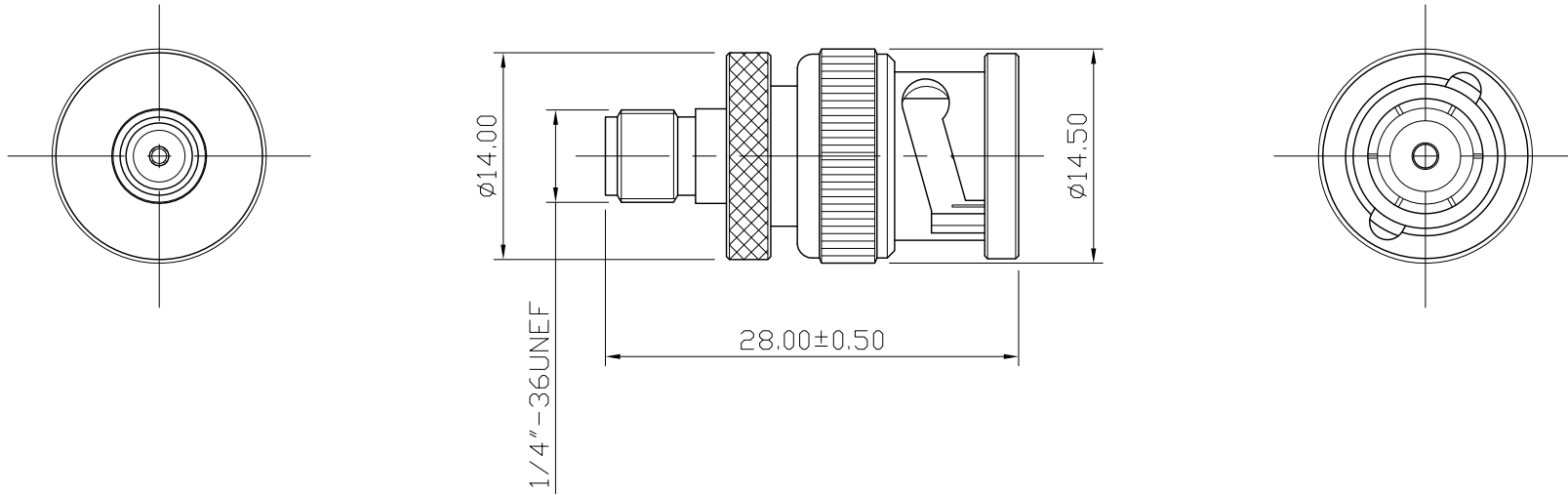


No.	DATE	DESCRIPTION	REV	REMARK : RoHS REQUIREMENT APPLIED (符合RoHS)	DATE	DRAWING NO.
					2011. 07. 04	SA-127NG-TEF(50)




S 1 : 1

-	contact pin	1	brass	gold	
-	insulator	1	PTFE	white	
-	insulator	1	PTFE	white	
-	gasket	1	PVC	red	
-	washer	1	steel	nickel	
-	spring	1	SK-5	nickel	
-	washer	1	steel	nickel	
-	body	1	brass	nickel	
-	shell	1	brass	nickel	
NO.	Description	Unit	Materials	Finish	Drawing No.

DIMENSIONS ARE IN MILLIMETERS			
UNLESS OTHERWISE SPECIFIED TOLERANCES (一般公差)			
0.5~6 = ±0.2			
>6~30 = ±0.4			
>30~120 = ±0.6			
>120~315 = ±1			
>315~1000 = ±1.6			
ANGLES(角度) = ±5°			
SCALE	2 : 1	UNIT	MM

CHECKED
DRAWN <i>Jim</i>
DATE 2007. 09. 21

 雅鈦企業有限公司 Aec Connectors Co., Ltd.	
TITLE SMA FEMALE TO BNC MALE	
DRAWING NO. ADT-2214S-SA25TA-BC15TA	
FILE NO. DRAWING\RFADT\ADT-2214S-SA25TA-BC15TA	