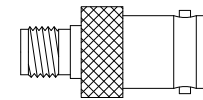
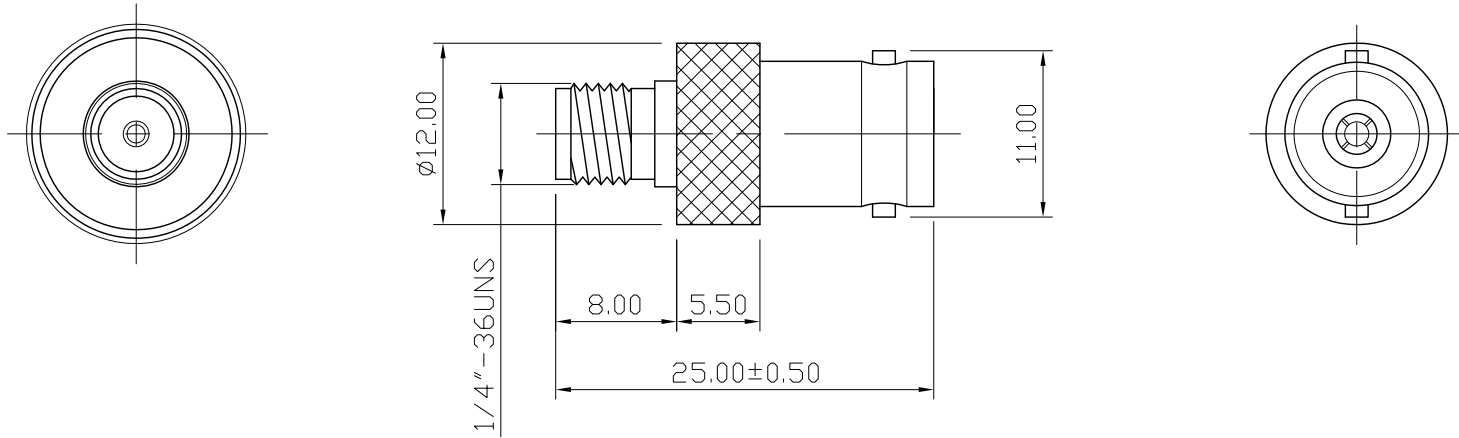



No.	DATE	DESCRIPTION	REV	REMARK : RoHS REQUIREMENT APPLIED (符合RoHS)	DATE	DRAWING NO.
					2008. 10. 28	SA-128NG-TEF(50)



S 1 : 1

7						DIMENSIONS ARE IN MILLIMETERS UNLESS OTHERWISE SPECIFIED TOLERANCES (一般公差) 0.5~6 = ±0.2 >6~30 = ±0.4 >30~120 = ±0.6 >120~315 = ±1 >315~1000 = ±1.6 ANGLES(角度) = ±5°	CHECKED	 雅鈦企業有限公司 Aec Connectors Co., Ltd.	
6									
5									TITLE
4									SMA MALE TO BNC FEMALE
3	insulator	1	PTFE	white			DRAWN	DRAWING NO.	
2	contact pin	1	brass	gold			<i>Lala</i>	ADT-2215S-SA25TA-BC25TA	
1	body	1	brass	nickel			DATE	FILE NO.	
NO.	Description	Unit	Materials	Finish	Drawing No.	SCALE	2 : 1	UNIT	MM
							2007. 09. 26		
									DRAWING\RF\ADT\ADT-2215S-SA25TA-BC25TA