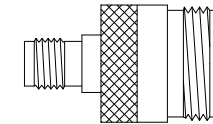
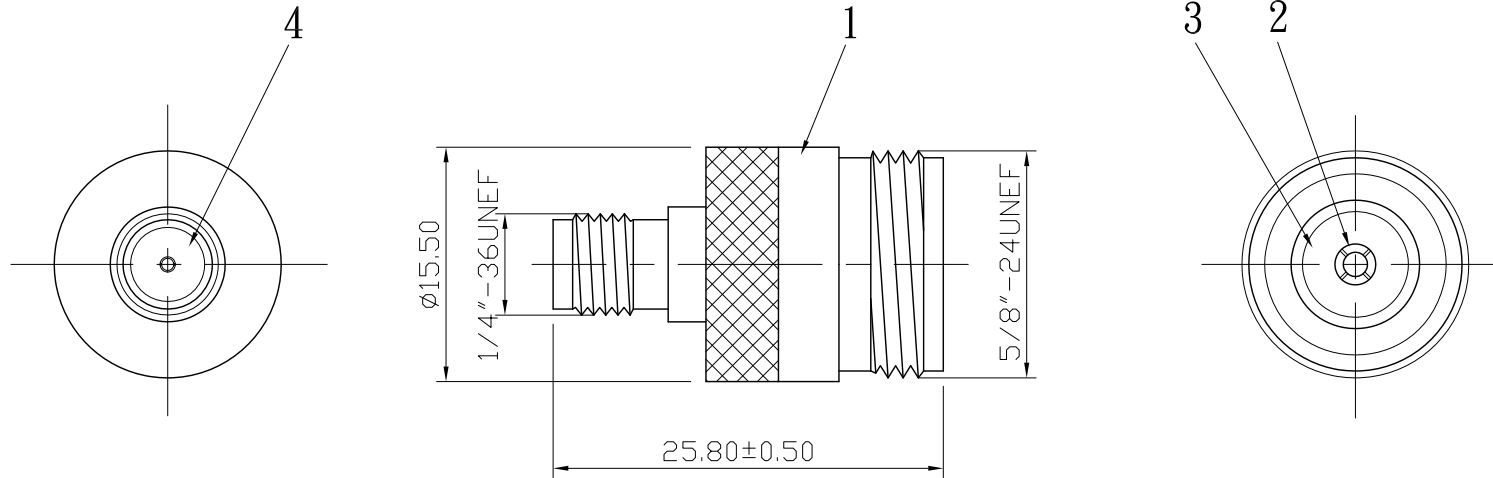



No.	DATE	DESCRIPTION	REV	REMARK : RoHS REQUIREMENT APPLIED (符合RoHS)	DATE	DRAWING NO.
					2008. 07. 04	SA-132NG-TEF(50)



S 1 : 1

7						DIMENSIONS ARE IN MILLIMETERS UNLESS OTHERWISE PECIFIED TOLERANCES (一般公差) 0.5~6 = ±0.2 >6~30 = ±0.4 >30~120 = ±0.6 >120~315 = ±1 >315~1000 = ±1.6 ANGLES(角度) = ±5°	CHECKED	 雅鈦企業有限公司 Aec Connectors Co., Ltd.	
6					DRAWN		TITLE		
5							DATE		SMA FEMALE TO N FEMALE
4	insulator	1	PTFE	white			2008. 03. 03	DRAWING NO.	
3	insulator	1	PTFE	white			ADT-2219S-SA25TA-NS25TA		
2	contact pin	1	brass	gold			FILE NO.		
1	body	1	brass	nickel			DRAWINGR\FVADTVADT-2219S-SA25TA-NS25TA		
NO.	Description	Unit	Materials	Finish	Drawing No.	SCALE	2 : 1	UNIT	MM