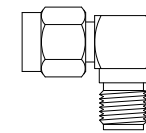
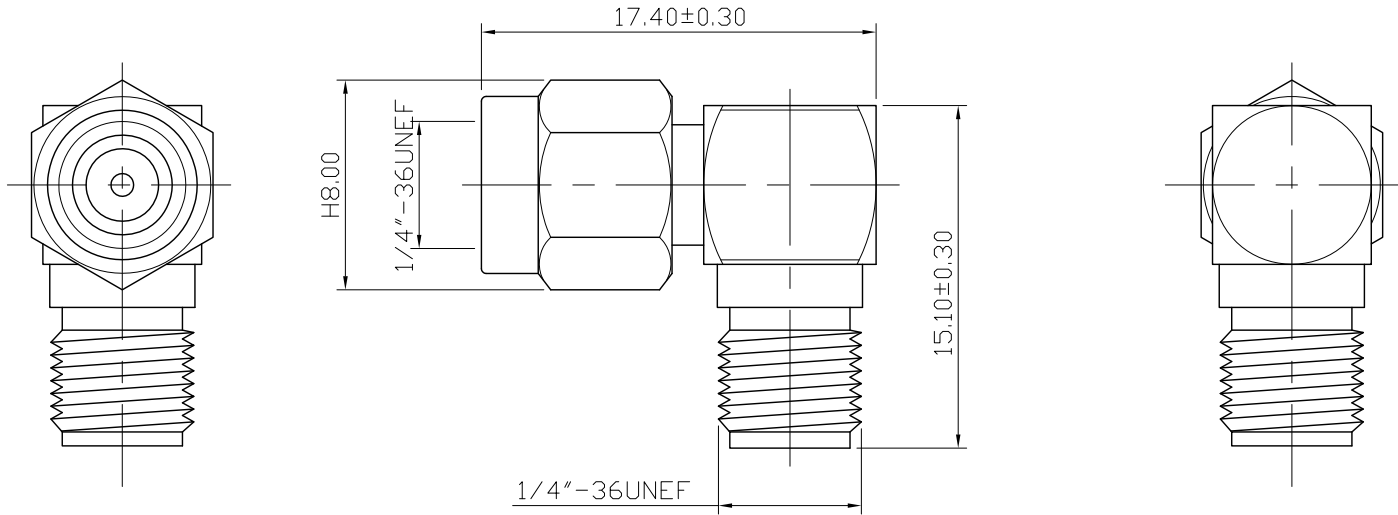



No.	DATE	DESCRIPTION	REV	REMARK : RoHS REQUIREMENT APPLIED (符合RoHS)	DATE	DRAWING NO.
					2008. 07. 04	SA-137NG-TEF(50)



S 1 : 1

-	shell	1	brass	nickel		DIMENSIONS ARE IN MILLIMETERS UNLESS OTHERWISE PECIFIED TOLERANCES (一般公差) 0.5~6 = ±0.2 >6~30 = ±0.4 >30~120 = ±0.6 >120~315 = ±1 >315~1000 = ±1.6 ANGLES(角度) = ±5°	CHECKED	 雅鈦企業有限公司 Aec Connectors Co., Ltd.	
-	c ring	1	steel	nature			DRAWN <i>Lala</i>		TITLE RIGHT ANGLE SMA MALE TO FEMALE
-	body	1	brass	nickel					DATE 2008. 02. 22
-	gasket	1	rubber	red				FILE NO. DRAWING\RF\ADT\ADT-2224R-SA15TA-SA25TA	
-	insulator	2	teflon	white					
-	contact pin	1	brass	gold					
-	body	1	brass	nickel					
NO.	Description	Unit	Materials	Finish	Drawing No.		SCALE 3 : 1	UNIT	MM