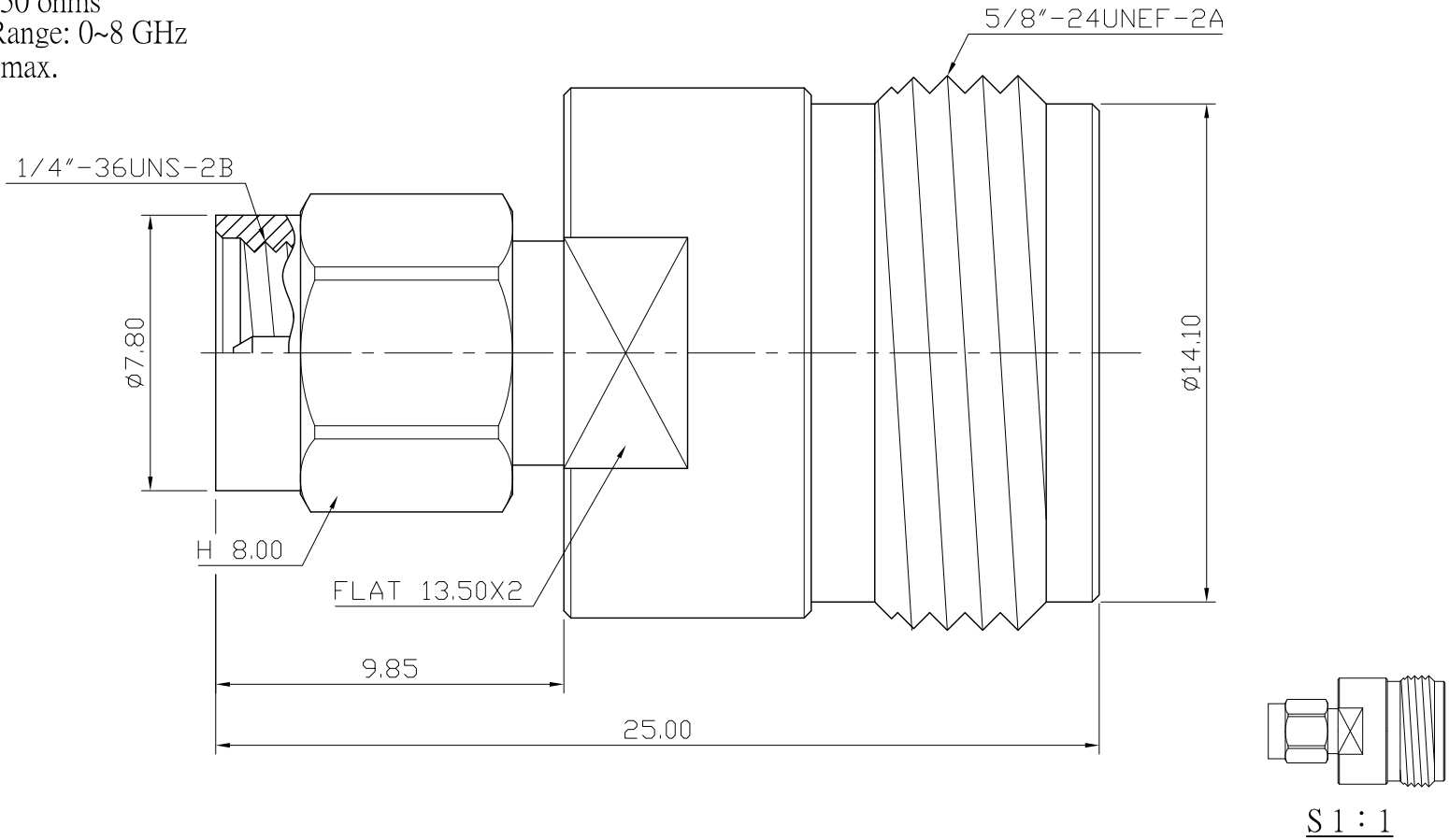



No.	DATE	DESCRIPTION	REV	REMARK : RoHS REQUIREMENT APPLIED (符合RoHS)	DATE	DRAWING NO.
-----	------	-------------	-----	---	------	-------------

Electricals:

1. Impedance: 50 ohms
2. Frequency Range: 0~8 GHz
3. VSWR: 1.3 max.



-	shell	1	brass	gold	DIMENSIONS ARE IN MILLIMETERS UNLESS OTHERWISE PECIFIED TOLERANCES (一般公差) 0.5~6 = ±0.2 >6~30 = ±0.4 >30~120 = ±0.6 >120~315 = ±1 >315~1000 = ±1.6 ANGLES(角度) = ±5°	CHECKED	 雅鈦企業有限公司 Aec Connectors Co., Ltd.
-	gasket	1	silicone	red		DRAWN <i>Wing</i>	
-	c ring	1	brass	gold		DATE 2008. 12. 22	DRAWING NO. ADT-2228S-SA15TG-NS25TA
-	body	1	brass	gold			FILE NO. DRAWING\RFADT\ADT-2228S-SA15TG-NS25TA
-	contact pin	1	phosphor bronze	gold			
-	insulator	1	PTFE	white			
-	body	1	brass	nickel			
NO.	Description	Unit	Materials	Finish		Drawing No.	SCALE 5 : 1