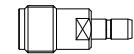
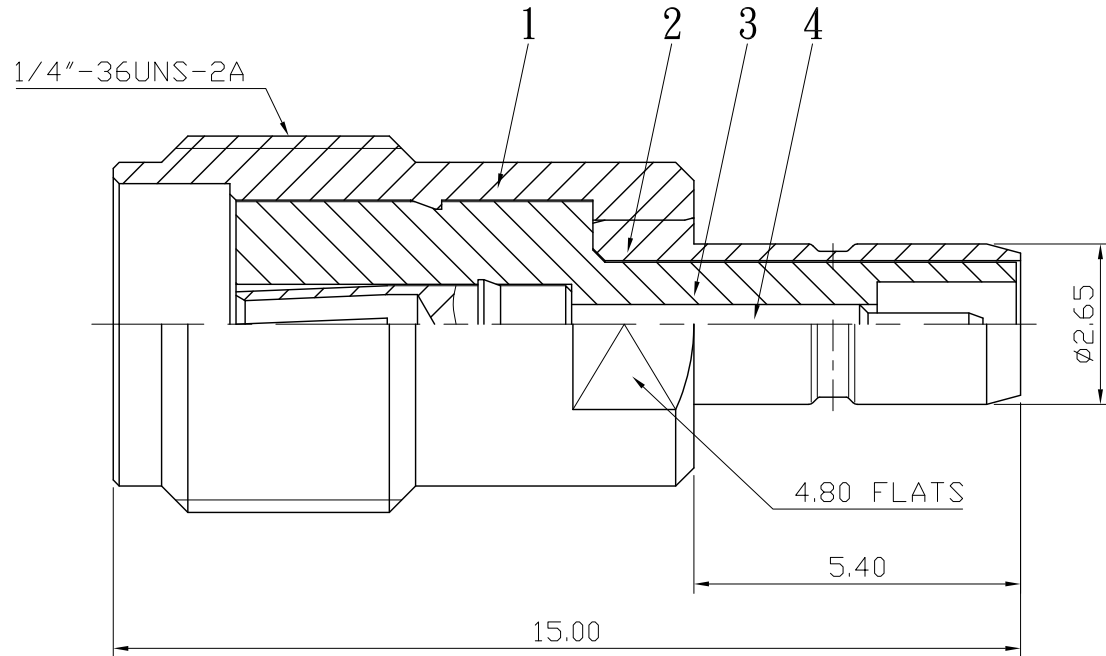



No.	DATE	DESCRIPTION	REV	REMARK : RoHS REQUIREMENT APPLIED (符合RoHS)	DATE	DRAWING NO.
-----	------	-------------	-----	---	------	-------------



S 1 : 1

7						DIMENSIONS ARE IN MILLIMETERS UNLESS OTHERWISE SPECIFIED TOLERANCES (一般公差) 0.5~6 = ± 0.2 >6~30 = ± 0.4 >30~120 = ± 0.6 >120~315 = ± 1 >315~1000 = ± 1.6 ANGLES(角度) = $\pm 5^\circ$	CHECKED	 雅鈦企業有限公司 Aec Connectors Co., Ltd.			
6							TITLE				
5							DRAWN	SMA JACK TO SSMB JACK ADAPTOR			
4	contact pin	1	beryllium copper	gold	OT03BE003A		<i>Wing</i>	DRAWING NO.			
3	insulator	1	PTFE	white	OT02TF014A			ADT-3002S-MB25TG-SA25TG			
2	body	1	brass	gold	MB01BR002A			FILE NO. DRAWING\RFADT\ADT-3002S-MB25TG-SA25TG			
1	body	1	brass	gold	SA01BR024A						
NO.	Description	Unit	Materials	Finish	Drawing No.	SCALE	8 : 1	UNIT	MM	DATE	2009. 10. 22