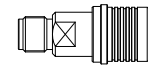
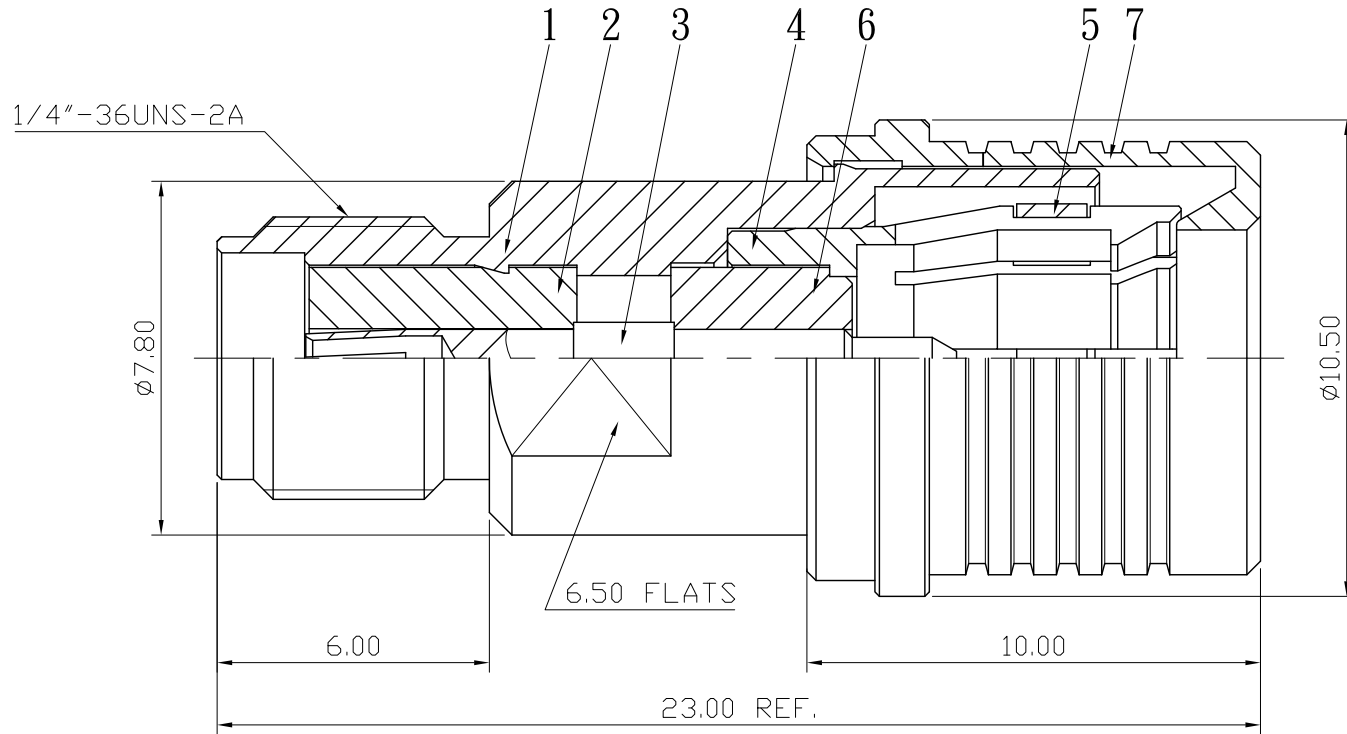



No.	DATE	DESCRIPTION	REV	REMARK : RoHS REQUIREMENT APPLIED (符合RoHS)	DATE	DRAWING NO.
-----	------	-------------	-----	---	------	-------------



S 1 : 1

7	shell	1	brass	nickel	QA05BR001A	DIMENSIONS ARE IN MILLIMETERS UNLESS OTHERWISE SPECIFIED TOLERANCES (一般公差) 0.5~6 = ±0.2 >6~30 = ±0.4 >30~120 = ±0.6 >120~315 = ±1 >315~1000 = ±1.6 ANGLES(角度) = ±5°	CHECKED	 <b>雅鈦企業有限公司</b> Aec Connectors Co., Ltd.	
6	insulator	1	PTFE	white	QA02TF001A		DRAWN		TITLE
5	ring	1	phosphor bronze	nickel	OT14PB001A		<i>Ada</i>	SMA JACK TO QMA PLUG ADAPTER	
4	body	1	brass	nickel	QA01BR001A			DATE	DRAWING NO.
3	contact pin	1	beryllium copper	gold	SA03BE014A		2012. 07. 24	ADT-3007S-SA25TG-QA15TA	
2	insulator	1	PTFE	white	SA02TF012A			FILE NO. DRAWING	
1	body	1	brass	gold	OT01BR028A			ADT-3007S-SA25TG-QA15TA	
NO.	Description	Unit	Materials	Finish	Drawing No.	SCALE	6 : 1	UNIT	MM