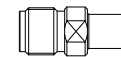
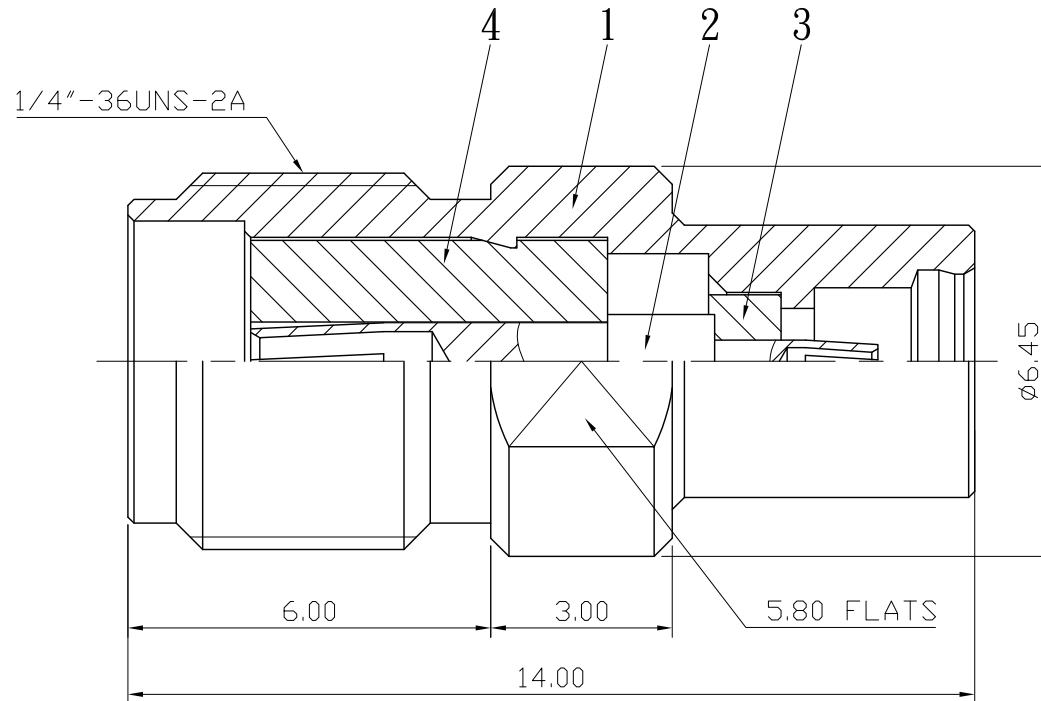



No.	DATE	DESCRIPTION	REV	REMARK : RoHS REQUIREMENT APPLIED (符合RoHS)	DATE	DRAWING NO.
-----	------	-------------	-----	-----------------------------------------------	------	-------------



S 1 : 1

7						DIMENSIONS ARE IN MILLIMETERS UNLESS OTHERWISE SPECIFIED TOLERANCES (一般公差) 0.5~6 = ± 0.2 >6~30 = ± 0.4 >30~120 = ± 0.6 >120~315 = ± 1 >315~1000 = ± 1.6 ANGLES(角度) = $\pm 5^\circ$	CHECKED	 雅鈦企業有限公司 Aec Connectors Co., Ltd.	
6					DRAWN		TITLE		
5					<i>Ada</i>		SMA JACK TO MMCX JACK ADAPTER		
4	insulator	1	PTFE	white	MX02TF004A		DRAWING NO.		
3	insulator	1	PTFE	white	SA02TF012A		ADT-3008S-SA25TG-MX25TG		
2	contact pin	1	beryllium copper	gold	OT03BE010A	DATE	FILE NO. DRAWING		
1	body	1	brass	gold	OT01BR029A	2012. 07. 27	ADT-3008S-SA25TG-MX25TG		
NO.	Description	Unit	Materials	Finish	Drawing No.	SCALE	8 : 1	UNIT	MM