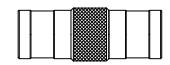
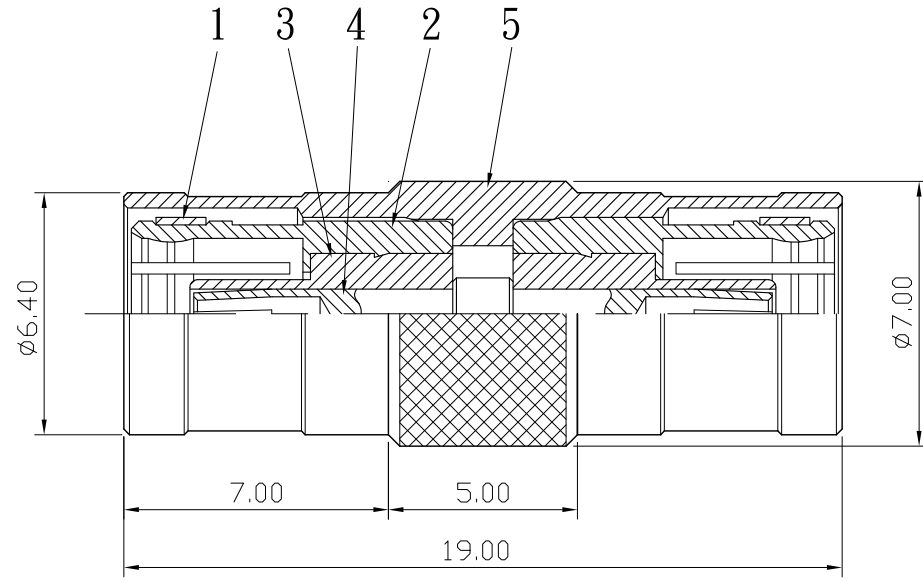



| | | | | | | |
|-----|------|-------------|-----|---|------|-------------|
| No. | DATE | DESCRIPTION | REV | REMARK : RoHS REQUIREMENT APPLIED (符合RoHS) | DATE | DRAWING NO. |
|-----|------|-------------|-----|---|------|-------------|



S 1 : 1

| | | | | | | | | | |
|-----|-------------|------|------------------|--------|-------------|--|--------------------------------------|--|----|
| 7 | | | | | | DIMENSIONS ARE IN MILLIMETERS UNLESS OTHERWISE PECIFIED TOLERANCES (一般公差) 0.5~6 = ±0.2 >6~30 = ±0.4 >30~120 = ±0.6 >120~315 = ±1 >315~1000 = ±1.6 ANGLES(角度) = ±5° | CHECKED |  雅鈦企業有限公司 Aec Connectors Co., Ltd. | |
| 6 | | | | | DRAWN | | TITLE | | |
| 5 | body | 1 | brass | gold | | | Lala | SMB DOUBLE MALE | |
| 4 | contact pin | 1 | phosphor bronze | gold | | | DATE | DRAWING NO. | |
| 3 | insulator | 2 | PTFE | white | | | 2008. 09. 11 | ADT-2301S-SB15TG-SB15TG | |
| 2 | body | 2 | brass | gold | | | FILE NO. | | |
| 1 | C ring | 2 | beryllium copper | gold | | | DRAWINGRFADTVADT-2301S-SB15TG-SB15TG | | |
| NO. | Description | Unit | Materials | Finish | Drawing No. | SCALE | 5 : 1 | UNIT | MM |