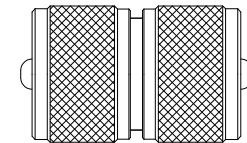
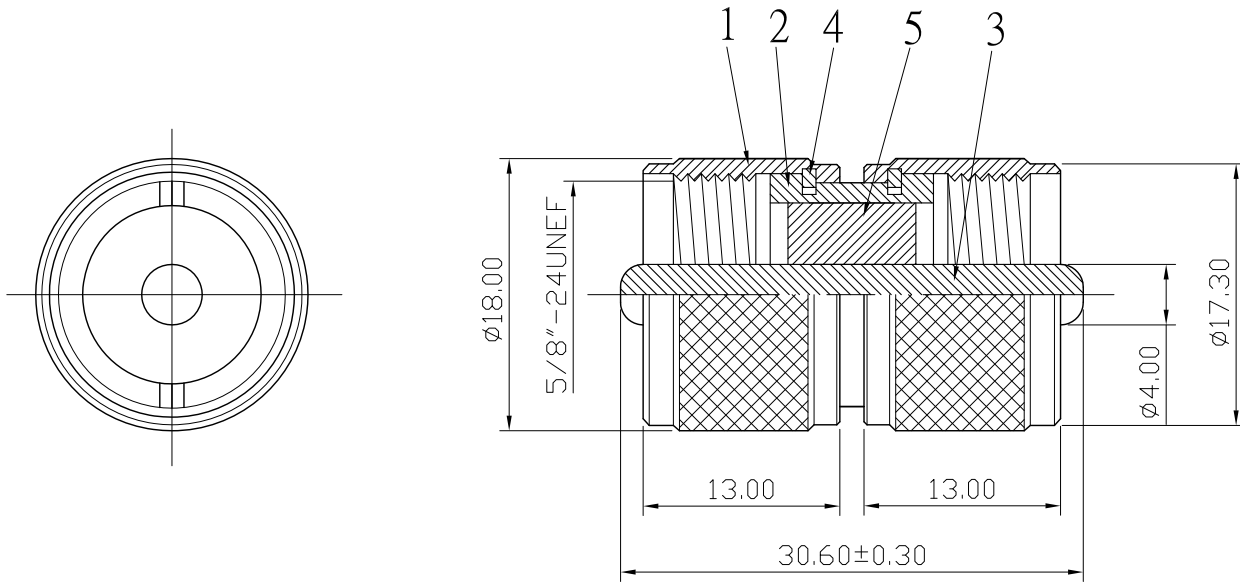



No.	DATE	DESCRIPTION	REV	REMARK : RoHS REQUIREMENT APPLIED (符合RoHS)	DATE	DRAWING NO.
					2009. 04. 01	US-1016NG-DEL(50)



S 1 : 1

7						DIMENSIONS ARE IN MILLIMETERS  UNLESS OTHERWISE SPECIFIED TOLERANCES (一般公差) 0.5~6 = ±0.2 >6~30 = ±0.4 >30~120 = ±0.6 >120~315 = ±1 >315~1000 = ±1.6 ANGLES(角度) = ±5°	CHECKED	 <b>雅鈦企業有限公司</b> Aec Connectors Co., Ltd.			
6							DRAWN		TITLE		
5	insulator	1	delrin	white			<i>Lala</i>		UHF DOUBLE MALE		
4	washer	2	brass	nickel				DRAWING NO.			
3	contact pin	1	brass	gold				ADT-2701S-US10DA-US10DA			
2	body	1	brass	nickel				FILE NO. DRAWING			
1	shell	2	brass	nickel				RFADT\ADT-2701S-US10DA-US10DA			
NO.	Description	Unit	Materials	Finish	Drawing No.	SCALE	2 : 1	UNIT	MM	DATE	2008. 01. 17