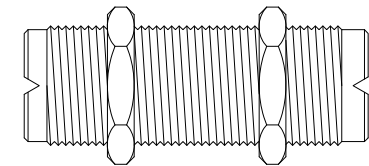
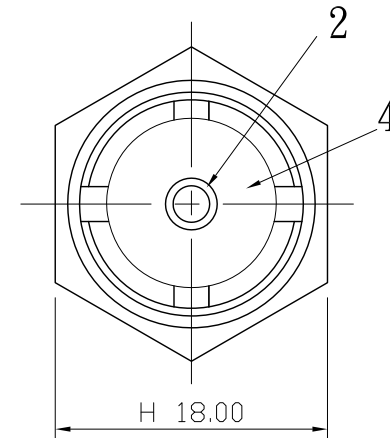
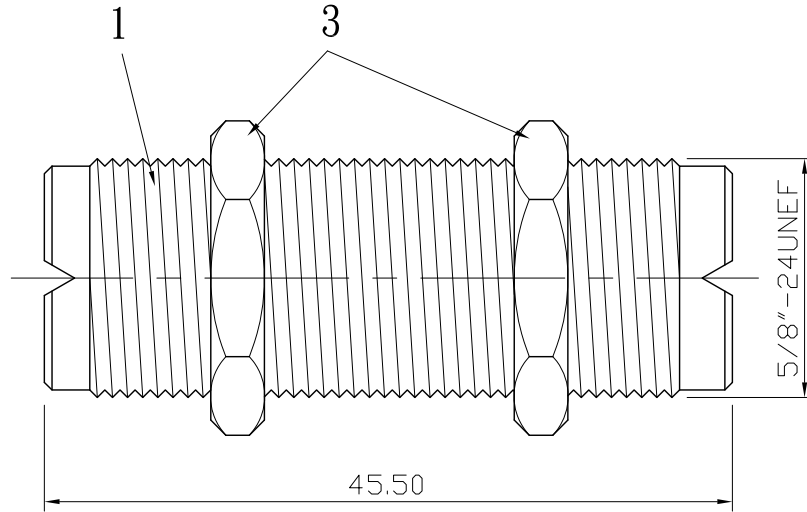



No.	DATE	DESCRIPTION	REV	REMARK : RoHS REQUIREMENT APPLIED (符合RoHS)	DATE	DRAWING NO.
					2008. 07. 09	US-1020NN-DEL(50)



S 1 : 1

						DIMENSIONS ARE IN MILLIMETERS  UNLESS OTHERWISE PECIFIED TOLERANCES (一般公差) 0.5~6 = ±0.2 >6~30 = ±0.4 >30~120 = ±0.6 >120~315 = ±1 >315~1000 = ±1.6 ANGLES(角度) = ±5°	CHECKED	 <b>雅鈦企業有限公司</b> Aec Connectors Co., Ltd.		
4	insulator	1	POM	white			DRAWN		TITLE	
3	nut	2	brass	nickel			<i>Lala</i>		UHF DOUBLE FEMALE BULKHEAD	
2	contact pin	1	brass	nickel			DATE		DRAWING NO.	
1	body	1	brass	nickel			2007. 09. 04		ADT-2705S-US20DB-US20DB	
NO.	Description	Unit	Materials	Finish	Drawing No.	SCALE	2 : 1	UNIT	MM	FILE NO. DRAWING\RFADT\ADT-2705S-US20DB-US20DB