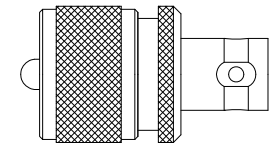
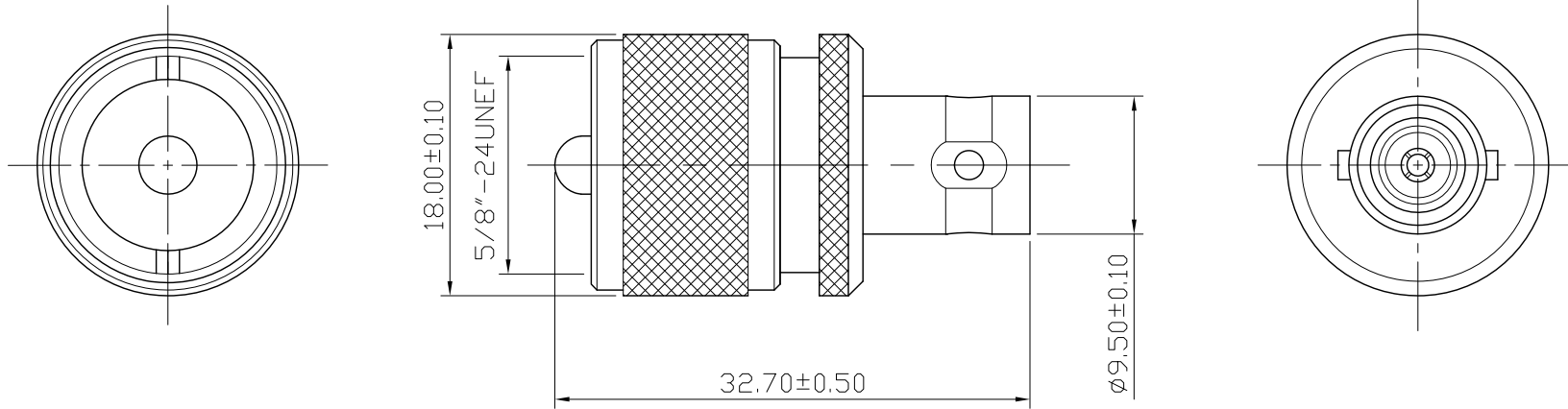



No.	DATE	DESCRIPTION	REV	REMARK : RoHS REQUIREMENT APPLIED (符合RoHS)	DATE	DRAWING NO.
					2014. 12. 03	US-1021NG-DEL(50)



S 1 : 1

-						DIMENSIONS ARE IN MILLIMETERS  UNLESS OTHERWISE PECIFIED TOLERANCES (一般公差) 0.5~6 = ±0.2 >6~30 = ±0.4 >30~120 = ±0.6 >120~315 = ±1 >315~1000 = ±1.6 ANGLES(角度) = ±5°	CHECKED	 雅鈦企業有限公司 Aec Connectors Co., Ltd.	
-	shell	1	brass	nickel			DRAWN <i>Sun</i>		TITLE UHF MALE TO BNC FEMALE
-	c ring	1	brass	nickel					DATE 2014. 12. 03
-	insulator	1	POM	white				FILE NO. DRAWINGR\FADTV\ADT-2706S-US15DA-BC25DA	
-	contact pin	1	brass	gold					
-	body	1	brass	nickel					
NO.	Description	Unit	Materials	Finish	Drawing No.	SCALE 2 : 1	UNIT	MM	