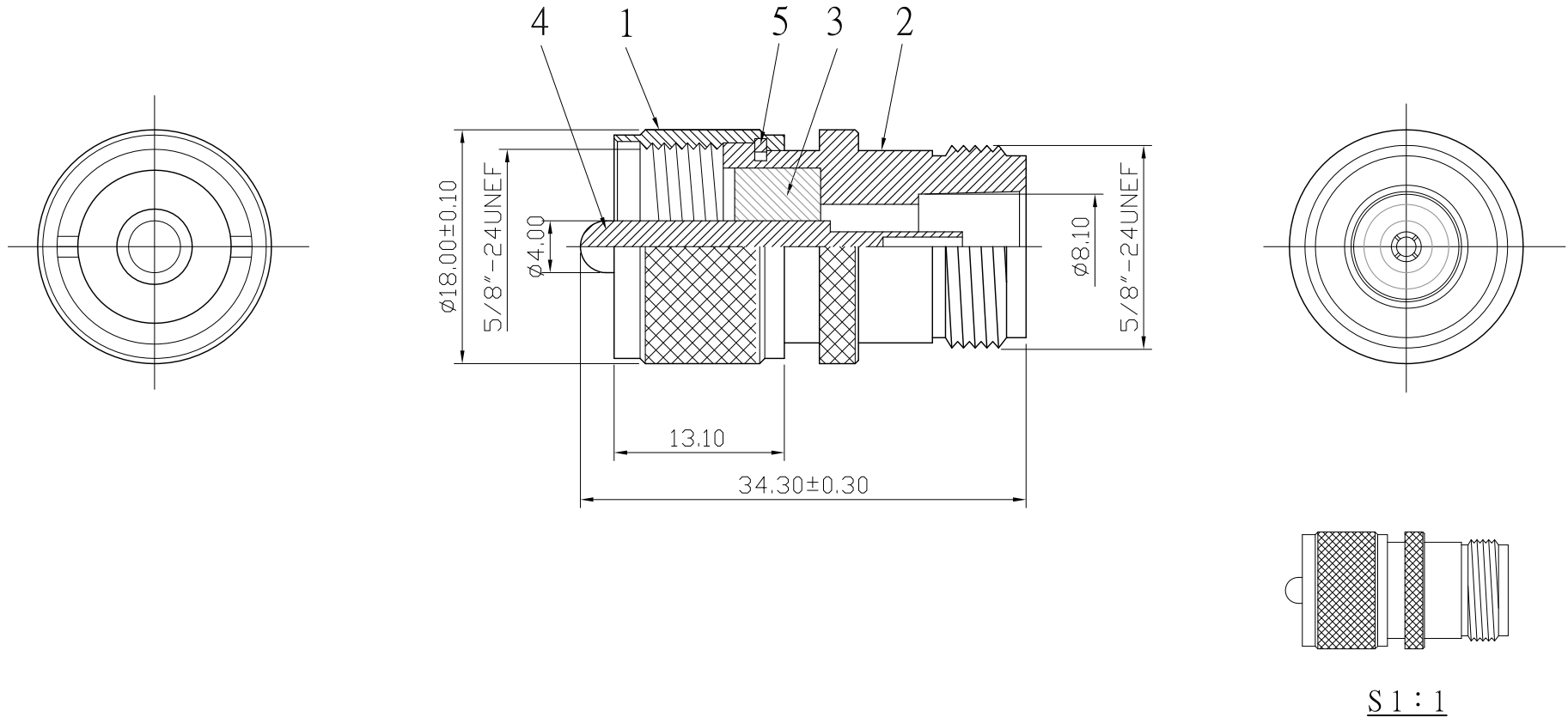



No.	DATE	DESCRIPTION	REV	REMARK : RoHS REQUIREMENT APPLIED (符合RoHS)	DATE	DRAWING NO.
					2008. 12. 09	US-1023NG-DEL(50)



7						DIMENSIONS ARE IN MILLIMETERS UNLESS OTHERWISE PECIFIED TOLERANCES (一般公差) 0.5~6 = ±0.2 >6~30 = ±0.4 >30~120 = ±0.6 >120~315 = ±1 >315~1000 = ±1.6 ANGLES(角度) = ±5°	CHECKED	 雅鈦企業有限公司 Aec Connectors Co., Ltd.	
6					DRAWN <i>Lala</i>				TITLE UHF MALE TO N FEMALE
5	washer	1	brass	none					DATE 2007. 12. 03
4	contact pin	1	brass	gold					FILE NO. DRAWING\RFADT\ADT-2708S-US15DA-NS25DA
3	insulator	1	POM	white					
2	body	1	brass	nickel					
1	shell	1	brass	nickel					
NO.	Description	Unit	Materials	Finish	Drawing No.	SCALE 2 : 1	UNIT	MM	