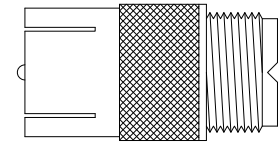
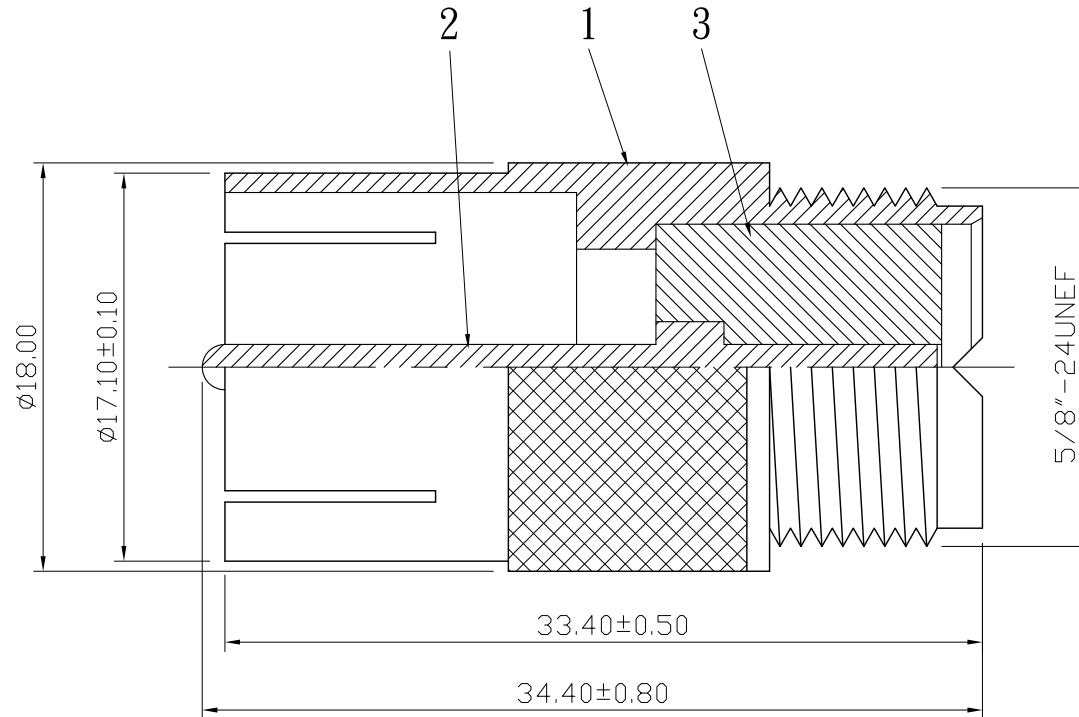



No.	DATE	DESCRIPTION	REV	REMARK : RoHS REQUIREMENT APPLIED (符合RoHS)	DATE	DRAWING NO.
-----	------	-------------	-----	---	------	-------------



S 1 : 1

7						DIMENSIONS ARE IN MILLIMETERS	CHECKED	 雅鈦企業有限公司 Aec Connectors Co., Ltd.
6								
5						0.5~6 = ±0.2	DRAWN <i>Lala</i>	TITLE QUICK UHF MALE TO UHF FEMALE
4						>6~30 = ±0.4		DRAWING NO. ADT-2715S-US10DA-US20DA
3	insulator	1	delrin	white		>30~120 = ±0.6	DATE 2009. 04. 06	FILE NO. DRAWINGR\FADT\ADT-2715S-US10DA-US20DA
2	contact pin	1	brass	gold		>120~315 = ±1		
1	body	1	brass	nickel		>315~1000 = ±1.6		
NO.	Description	Unit	Materials	Finish	Drawing No.	ANGLES(角度) = ±5°	SCALE 3 : 1	UNIT MM