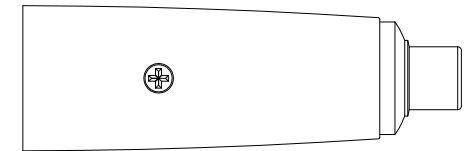
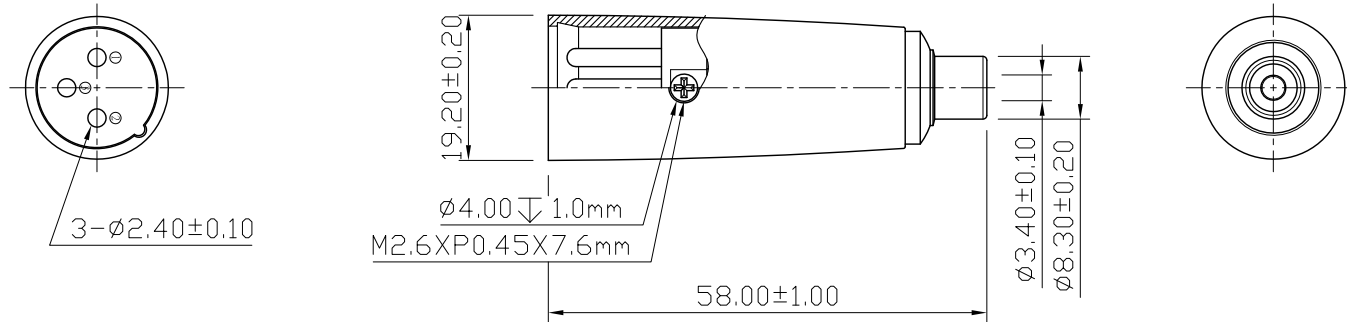


REMARK : RoHS REQUIREMENT APPLIED
(符合RoHS)



S 1 : 1

| - | cable | 1 | copper wire | black | |
|-----|-------------|------|--------------|--------|-------------|
| - | screw | 1 | iron | nickel | |
| - | shell | 1 | zinc alloy | nickel | |
| - | clip | 1 | brass | nickel | |
| - | insulator | 1 | POM | white | |
| - | insulator | 1 | bakelite | brown | |
| - | contact pin | 1 | brass | nickel | |
| - | body | 1 | brass | nickel | |
| - | solder tab | 1 | brass | nickel | |
| - | contact pin | 3 | brass | nickel | |
| - | body | 1 | PBT 30%fiber | gray | |
| NO. | Description | Unit | Materials | Finish | Drawing No. |

DIMENSIONS ARE IN
MILLIMETERS

UNLESS OTHERWISE SPECIFIED
TOLERANCES
(一般公差)
0.5~6 = ±0.2
>6~30 = ±0.4
>30~120 = ±0.6
>120~315 = ±1
>315~1000 = ±1.6
ANGLES(角度) = ±5°

CHECKED

DRAWN

Tina

DATE

2012. 09. 25



雅鈦企業有限公司
Aec Connectors Co., Ltd.

TITLE
ADAPTOR-
MICROPHONE MALE TO RCA FEMALE

DRAWING NO.
ADT-2803S-MI10CA-RS20BA

FILE NO. DRAWINGR\FADT\ADT-2803S-MI10CA-RS20BA

SCALE 1 : 1 UNIT MM