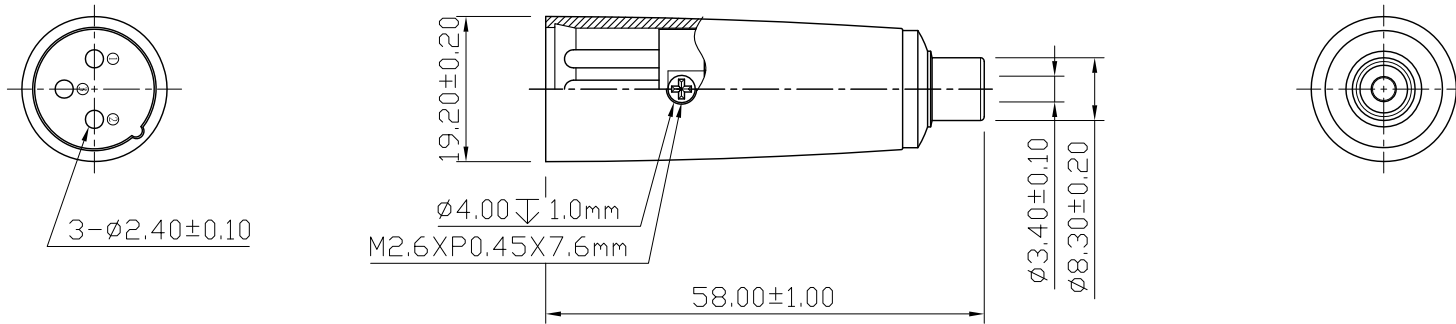


No.	DATE	DESCRIPTION	REV	REMARK : RoHS REQUIREMENT APPLIED (符合RoHS)	DATE	DRAWING NO.
					2013. 04. 09	ADT-2803S-MI10CG-RS20BG



-	cable	1	copper wire	none	
-	screw	1	iron	gold	SCREW-305G-M2.6XP0.45X7.6mm
-	shell	1	zinc alloy	black E-coated	
-	clip	1	brass	gold	
-	insulator	1	POM	white	
-	insulator	1	bakelite	brown	
-	contact pin	1	brass	gold	
-	body	1	brass	gold	
-	solder tab	1	brass	nickel	
-	contact pin	3	brass	gold	
-	body	1	PBT 30% fiber	gray	
NO.	Description	Unit	Materials	Finish	Drawing No.

DIMENSIONS ARE IN MILLIMETERS  
UNLESS OTHERWISE SPECIFIED  
TOLERANCES  
(一般公差)  
0.5~6 =  $\pm 0.2$   
>6~30 =  $\pm 0.4$   
>30~120 =  $\pm 0.6$   
>120~315 =  $\pm 1$   
>315~1000 =  $\pm 1.6$   
ANGLES(角度) =  $\pm 5^\circ$

CHECKED  
  
DRAWN  
*Tina*  
DATE  
2013. 04. 08



雅鈦企業有限公司  
Aec Connectors Co., Ltd.

TITLE  
MICROPHONE MALE TO RCA FEMALE  
DRAWING NO.  
ADT-2803S-MI10CM-RS20BG  
FILE NO. DRAWING\RFADT\ADT-2803S-MI10CM-RS20BG