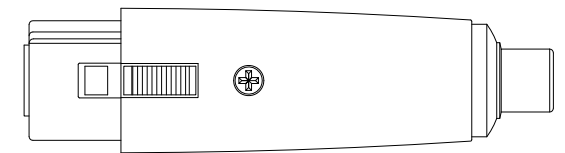
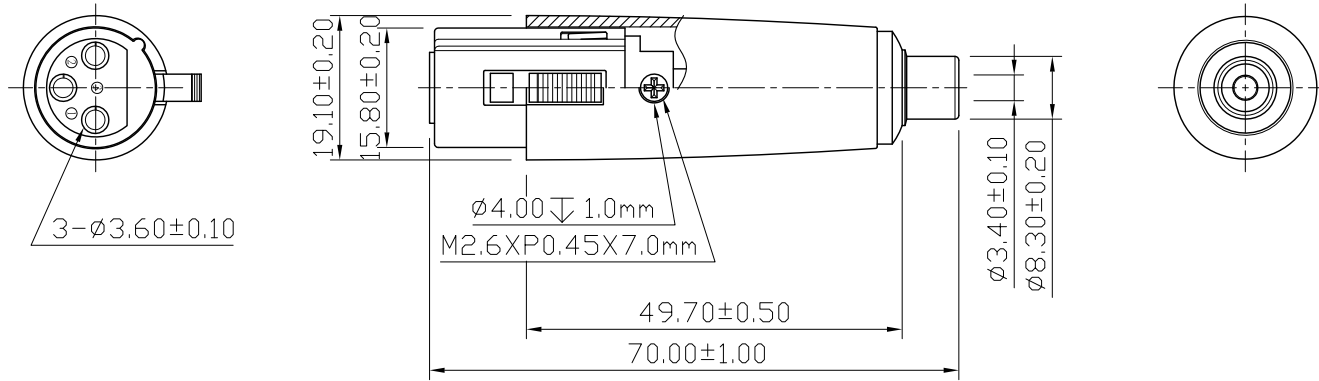


REMARK : RoHS REQUIREMENT APPLIED
(符合RoHS)



S 1 : 1

-	cable	1	copper wire	black	
-	screw	1	iron	nickel	
-	clip	1	brass	nickel	
-	insulator	1	POM	white	
-	insulator	1	bakelite	brown	
-	contact pin	1	brass	nickel	
-	body	1	brass	nickel	
-	shell	1	zinc alloy	nickel	
-	solder tab	1	brass	nickel	
-	button	1	zinc alloy	nickel	
-	sleeve	1	brass	nickel	
-	contact pin	3	phosphor bronze	nickel	
-	body	1	PBT 30%fiber	gray	
NO.	Description	Unit	Materials	Finish	Drawing No.

DIMENSIONS ARE IN
MILLIMETERS

UNLESS OTHERWISE PECIFIED
TOLERANCES
(一般公差)
0.5~6 = ±0.2
>6~30 = ±0.4
>30~120 = ±0.6
>120~315 = ±1
>315~1000 = ±1.6
ANGLES(角度) = ±5°

CHECKED

DRAWN

Tina

DATE

2012. 09. 26



雅鈦企業有限公司
Aec Connectors Co., Ltd.

TITLE ADAPTOR-
MICROPHONE FEMALE TO RCA FEMALE

DRAWING NO.

ADT-2804S-MI20CA-RS20BA

FILE NO. DRAWINGR\FADT\ADT-2804S-MI20CA-RS20BA

SCALE 1 : 1 UNIT MM