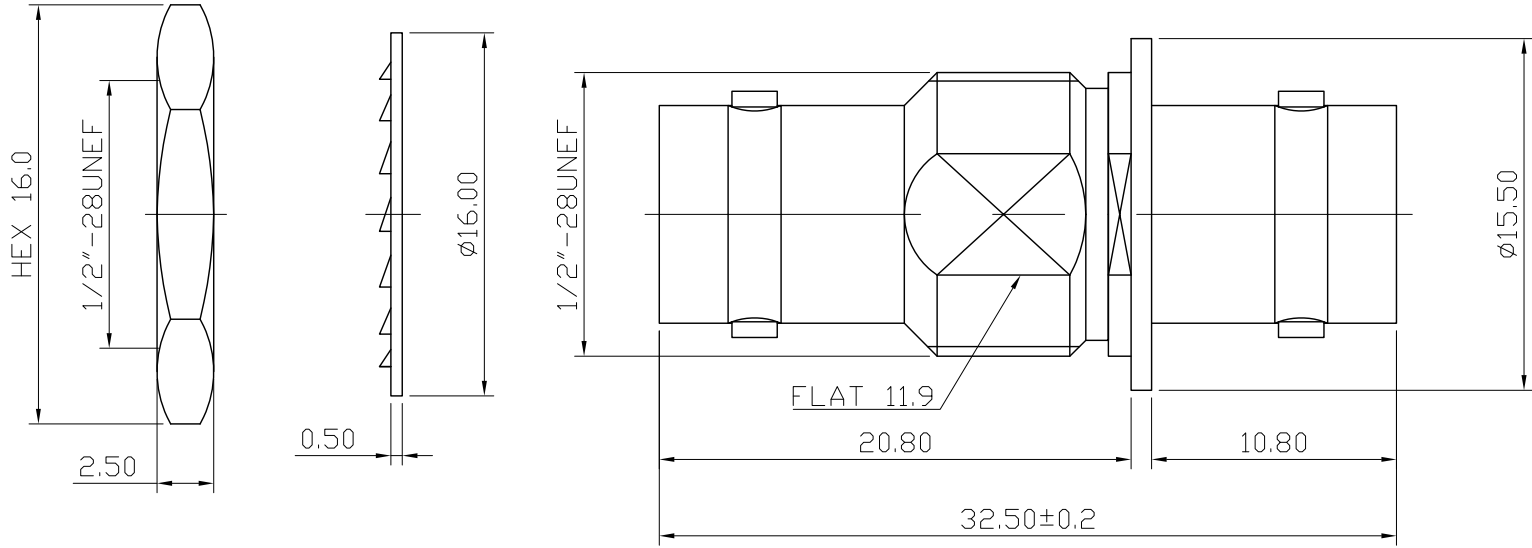
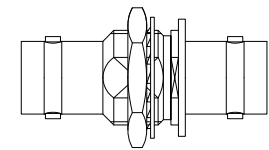


No.	DATE	DESCRIPTION	REV	REMARK : RoHS REQUIREMENT APPLIED (符合RoHS)	DATE	DRAWING NO.
-----	------	-------------	-----	---	------	-------------




Electricals:

- 1.Impedance : 75 ohms
- 2.Frequency Range : DC~6 GHz
- 3.V.S.W.R. : 1.2 Max.



S 1 : 1

-						DIMENSIONS ARE IN MILLIMETERS  UNLESS OTHERWISE PECIFIED TOLERANCES (一般公差) 0.5~6 = ±0.2 >6~30 = ±0.4 >30~120 = ±0.6 >120~315 = ±1 >315~1000 = ±1.6 ANGLES(角度) = ±5°	CHECKED	 雅鈦企業有限公司 Aec Connectors Co., Ltd.	
-	body b	1	brass	nickel			DRAWN <i>Chad</i>		TITLE BNC JACK TO BNC JACK STRAIGHT ADAPTOR
-	contact pin	1	brass	gold					DATE 2017. 06. 29
-	insulator	1	PTFE	white				FILE NO. DRAWING\RF\ADAPTOR\ADT-1256S-BC27TA-BC27TA	
-	body a	1	brass	nickel					
-	washer	1	steel	nickel					
-	nut	1	brass	nickel					
NO.	Description	Unit	Materials	Finish	Drawing No.	SCALE 3 : 1	UNIT MM		