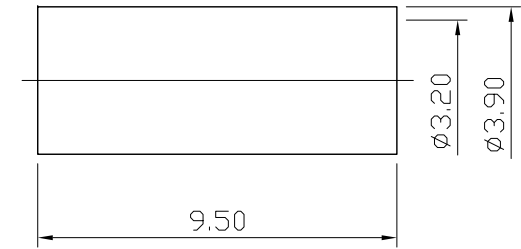
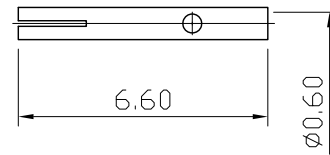
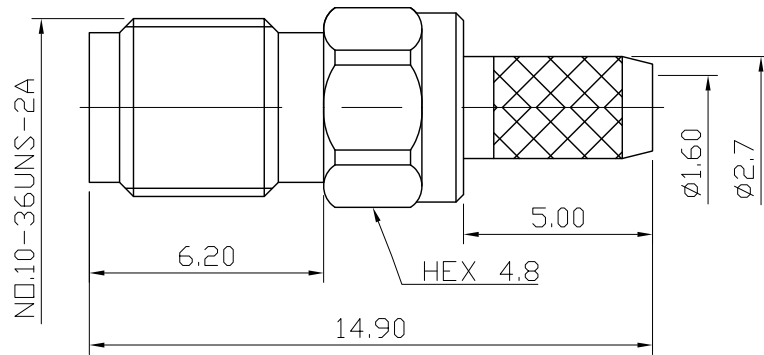
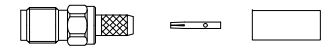


No.	DATE	DESCRIPTION	REV	REMARK : RoHS REQUIREMENT APPLIED (符合RoHS)	DATE	DRAWING NO.
-----	------	-------------	-----	---	------	-------------



Electricals:

1. Impedance: 50 ohms
2. Frequency Range: 0~18 GHz
3. Working Voltage: 250V rms min.
4. Dielectric Withstanding Voltage: 1000 M min.
5. VSWR: 1.3 max.@ 6GHz.



S 1 : 1

4	ferrule	1	brass	gold	
3	contact pin	1	beryllium copper	gold	MA03BE002A
2	insulator	1	PTFE	none	MA02TF002A
1	body	1	brass	gold	MA01BR002A
NO.	Description	Unit	Materials	Finish	Drawing No.

DIMENSIONS ARE IN MILLIMETERS			
UNLESS OTHERWISE SPECIFIED TOLERANCES (一般公差)			
0.5~6	= ±0.2		
>6~30	= ±0.4		
>30~120	= ±0.6		
>120~315	= ±1		
>315~1000	= ±1.6		
ANGLES(角度) = ±5°			
SCALE	5 : 1	UNIT	MM

CHECKED	
DRAWN	Chad
DATE	2013.06.10

 雅鈦企業有限公司 Aec Connectors Co., Ltd.	
TITLE SSMA JACK STRAIGHT CRIMP FOR RG-174U	
DRAWING NO. MA-1001GTG-SC1725A	
FILE NO. Drawing\RFMAMA-1001GTG-SC1725A\MA-1001GTG-SC1725A	