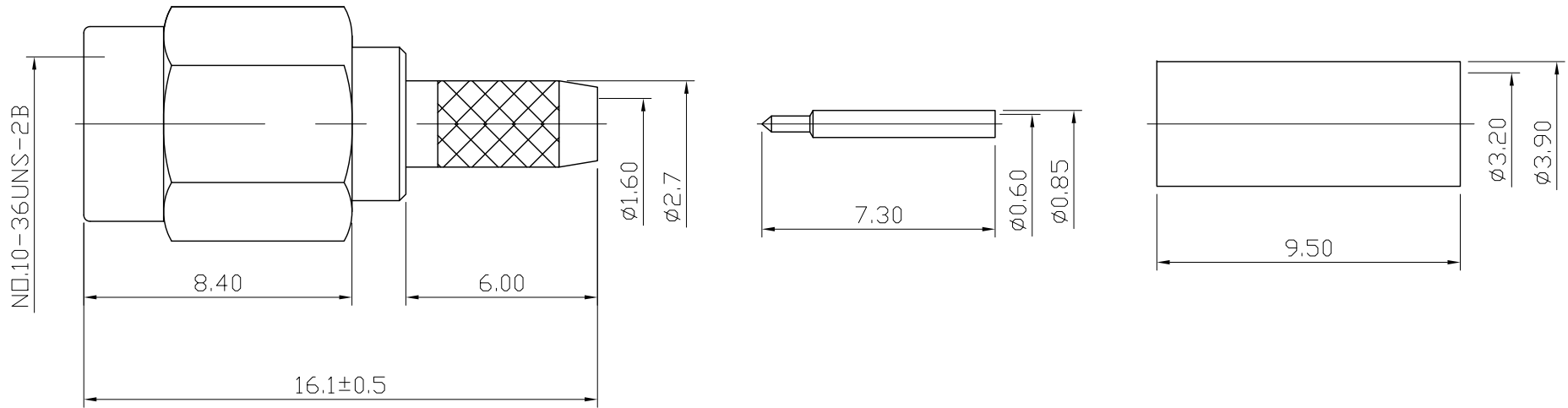
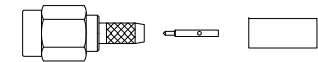


No.	DATE	DESCRIPTION	REV	REMARK : RoHS REQUIREMENT APPLIED (符合RoHS)	DATE	DRAWING NO.
-----	------	-------------	-----	---	------	-------------




Electricals:

1. Impedance: 50 ohms
2. Frequency Range: 0~18 GHz
3. Working Voltage: 250V rms min.
4. Dielectric Withstanding Voltage: 1000 M min.
5. VSWR: 1.3 max.@ 6GHz



S 1 : 1

7	ferrule	1	brass	gold		DIMENSIONS ARE IN MILLIMETERS UNLESS OTHERWISE PECIFIED TOLERANCES (一般公差) 0.5~6 = ±0.2 >6~30 = ±0.4 >30~120 = ±0.6 >120~315 = ±1 >315~1000 = ±1.6 ANGLES(角度) = ±5°	CHECKED	 雅鈦企業有限公司 Aec Connectors Co., Ltd.	
6	contact pin	1	brass	gold	MA03BR001A				
5	insulator	1	PTFE	none	MA02TF001A		DRAWN <i>Chad</i>		TITLE SSMA PLUG STRAIGHT CRIMP FOR RG-174U
4	body	1	brass	gold	MA01BR001A				DRAWING NO. MA-1002GTG-SC1715A
3	c ring	1	sus 304	none	OT07SS017A		DATE 2013.06.10		FILE NO. DrawingRFNSNS-1001GTG-SC1715AANS-1001GTG-SC1715A
2	gasket	1	silicone	red	OT12SL011A				
1	shell	1	brass	gold	MA05BR001A				
NO.	Description	Unit	Materials	Finish	Drawing No.	SCALE 5 : 1	UNIT MM		