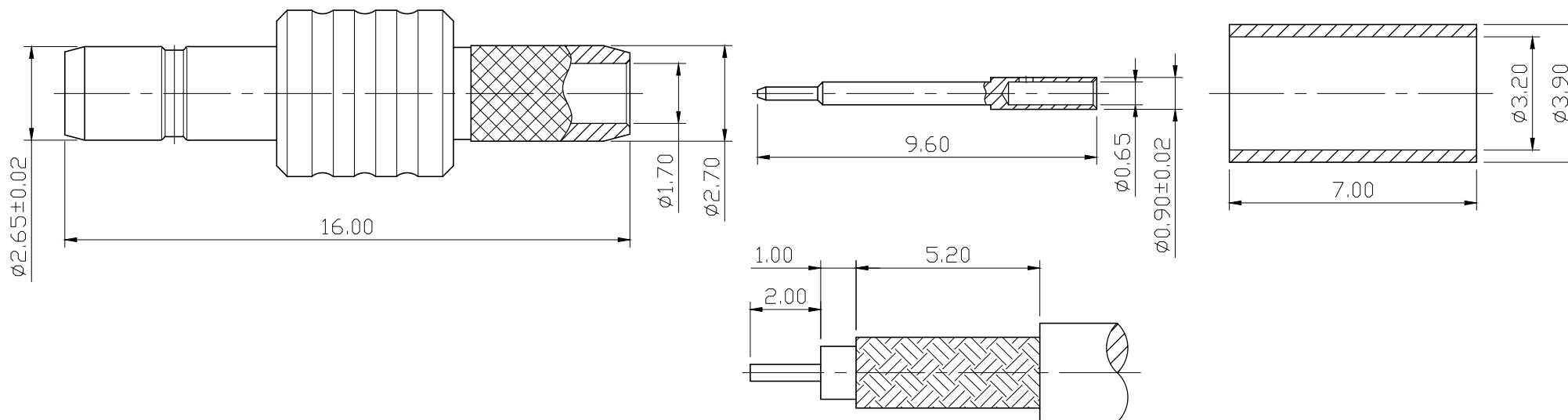


| No. | DATE | DESCRIPTION | REV | REMARK : RoHS REQUIREMENT APPLIED (符合RoHS) | DATE | DRAWING NO. |
|-----|------|-------------|-----|---|------|-------------|
|-----|------|-------------|-----|---|------|-------------|

Electricals:


1. Impedance: 50 ohms
2. Frequency Range: 0~4 GHz
3. Working Voltage: 250 VRMS min.
4. Dielectric Withstanding Voltage: 500 VRMS min.
5. VSWR: 1.25 max.
6. Contact Resistance: center contact : 5 Milliohms max.
outer contact : 2.5 Milliohms max.
7. Insulator Resistance: 1000 Megohms min.



RECOMMENDED CABLE ATRIPPING DIM'S
(建議剝線尺寸)



S 1 : 1

| | | | | | | | | | |
|-----|-------------|------|-----------|--------|---|--------------|--|---|----|
| - | | | | | DIMENSIONS ARE IN MILLIMETERS UNLESS OTHERWISE PECIFIED TOLERANCES (一般公差) 0.5~6 = ± 0.2 >6~30 = ± 0.4 >30~120 = ± 0.6 >120~315 = ± 1 >315~1000 = ± 1.6 ANGLES(角度) = $\pm 5^\circ$ | CHECKED |  雅鈦企業有限公司 Aec Connectors Co., Ltd. | | |
| - | | | | | | DRAWN | | TITLE | |
| - | | | | | | | <i>Jim</i> | SSMB STR JACK CRIMP FOR RG-174/U, 188/U, 316/U | |
| - | ferrule | 1 | brass | gold | | | | DRAWING NO. | |
| - | contact pin | 1 | brass | gold | | | | MB-1001GTG-SC1725 | |
| - | insulator | 1 | PTFE | white | | | | FILE NO. | |
| - | body | 1 | brass | gold | | 2009. 04. 06 | DRAWING\RFMBMB-1001GTG-SC1725 | | |
| NO. | Description | Unit | Materials | Finish | Drawing No. | SCALE | 6 : 1 | UNIT | MM |