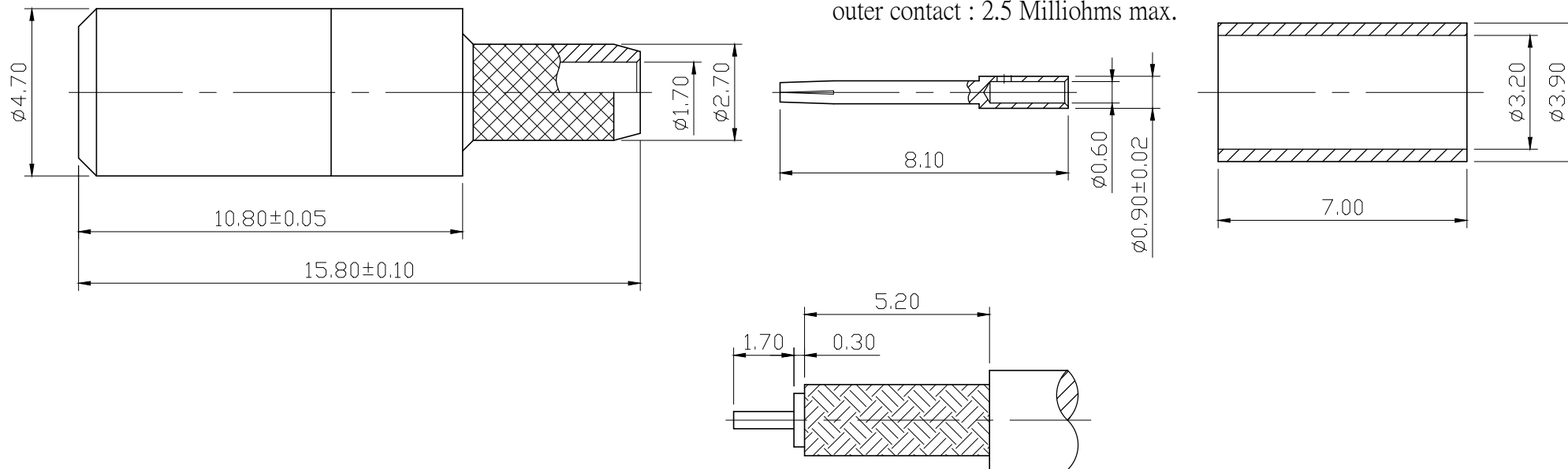


No.	DATE	DESCRIPTION	REV	REMARK : RoHS REQUIREMENT APPLIED (符合RoHS)	DATE	DRAWING NO.
-----	------	-------------	-----	---	------	-------------

Electrical:


1. Impedance: 50 ohm
2. Frequency Range: 0~4 GHz
3. Working Voltage: 250 VRMS max.
4. Dielectric Withstanding Voltage: 500 VRMS min.
5. VSWR: 1.30 max.
6. Contact Resistance : center contact : 5 Milliohms max.
outer contact : 2.5 Milliohms max.



RECOMMENDED CABLE STRIPPING DIM'S
(建議剝線尺寸)



S 1 : 1

-						DIMENSIONS ARE IN MILLIMETERS			CHECKED	 雅鈦企業有限公司 Aec Connectors Co., Ltd.		
-	ferrule	1	brass	gold		UNLESS OTHERWISE PECIFIED TOLERANCES (一般公差)			DRAWN			
-	contact pin	1	beryllium copper	gold		0.5~6 = ±0.2						
-	shell	1	brass	gold		>6~30 = ±0.4						
-	barrel	1	brass	gold		>30~120 = ±0.6						
-	insulator	1	teflon	white		>120~315 = ±1						
-	body	1	beryllium copper	gold		>315~1000 = ±1.6			DATE			
NO.	Description	Unit	Materials	Finish	Drawing No.	SCALE	6 : 1	UNIT	MM	2010. 03. 16	TITLE	SSMB STR PLUG CRIMP FOR RG-174/U, 188/U, 316/U
											DRAWING NO.	MB-1003GTG-SC1715
											FILE NO.	DRAWINGRFBMB-1003GTG-SC1715