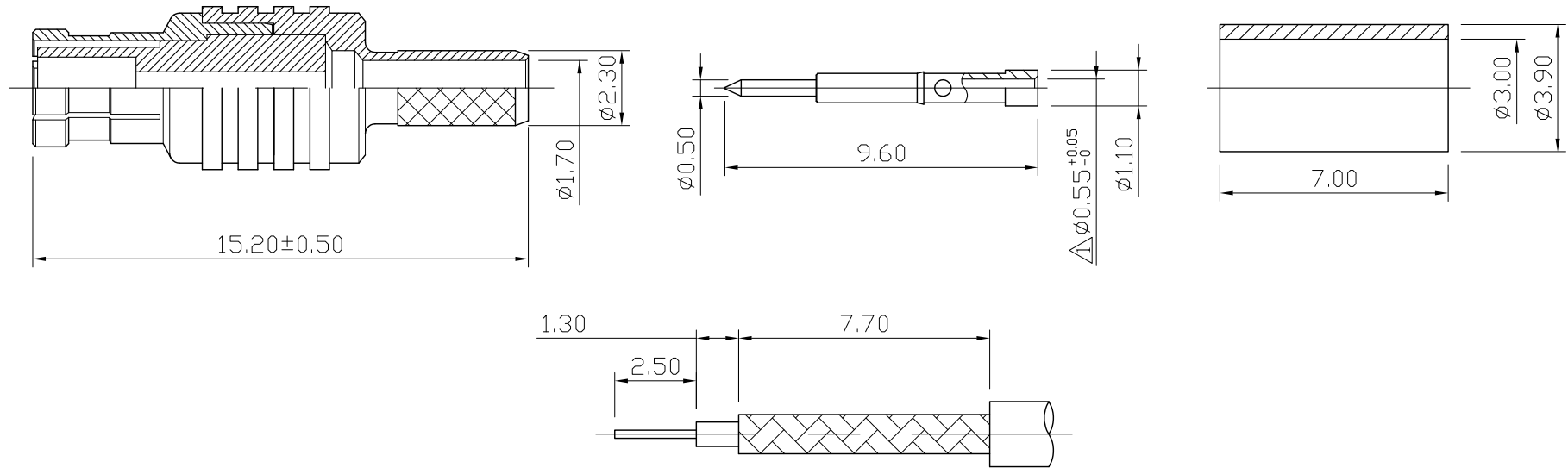
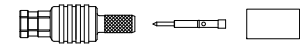



No.	DATE	DESCRIPTION	REV	REMARK : RoHS REQUIREMENT APPLIED (符合RoHS)	DATE	DRAWING NO.
△	2009. 01. 22	Original dimation □0.55	A		2009. 01. 22	MCX-101GG-TEF(50)-174U/316U



RECOMMENDED  
CABLE STRIPPING DIM'S  
(建議剝線尺寸)



S 1 : 1

-					DIMENSIONS ARE IN MILLIMETERS  UNLESS OTHRWISE PECIFIED TOLERANCES (一般公差) 0.5~6 = ±0.2 >6~30 = ±0.4 >30~120 = ±0.6 >120~315 = ±1 >315~1000 = ±1.6 ANGLES(角度) = ±5°	CHECKED	 <b>雅鈦企業有限公司</b> Aec Connectors Co., Ltd.		
-	ferrule	1	brass	gold		DRAWN <i>Jim</i>		TITLE MCX STRAIGHT MALE CRIMP FOR RG-174/U,188/U,316/U	
-	contact pin	1	brass	gold				DATE 2007. 12. 11	DRAWING NO. MC-1001GTG-SC1715
-	body	1	brass	gold			FILE NO. DRAWING\RF\MCMC-1001GTG-SC1715		
-	insulator	1	PTFE	white					
-	housing	1	beryllium copper	gold					
NO.	Description	Unit	Materials	Finish		Drawing No.	SCALE	5 : 1	UNIT