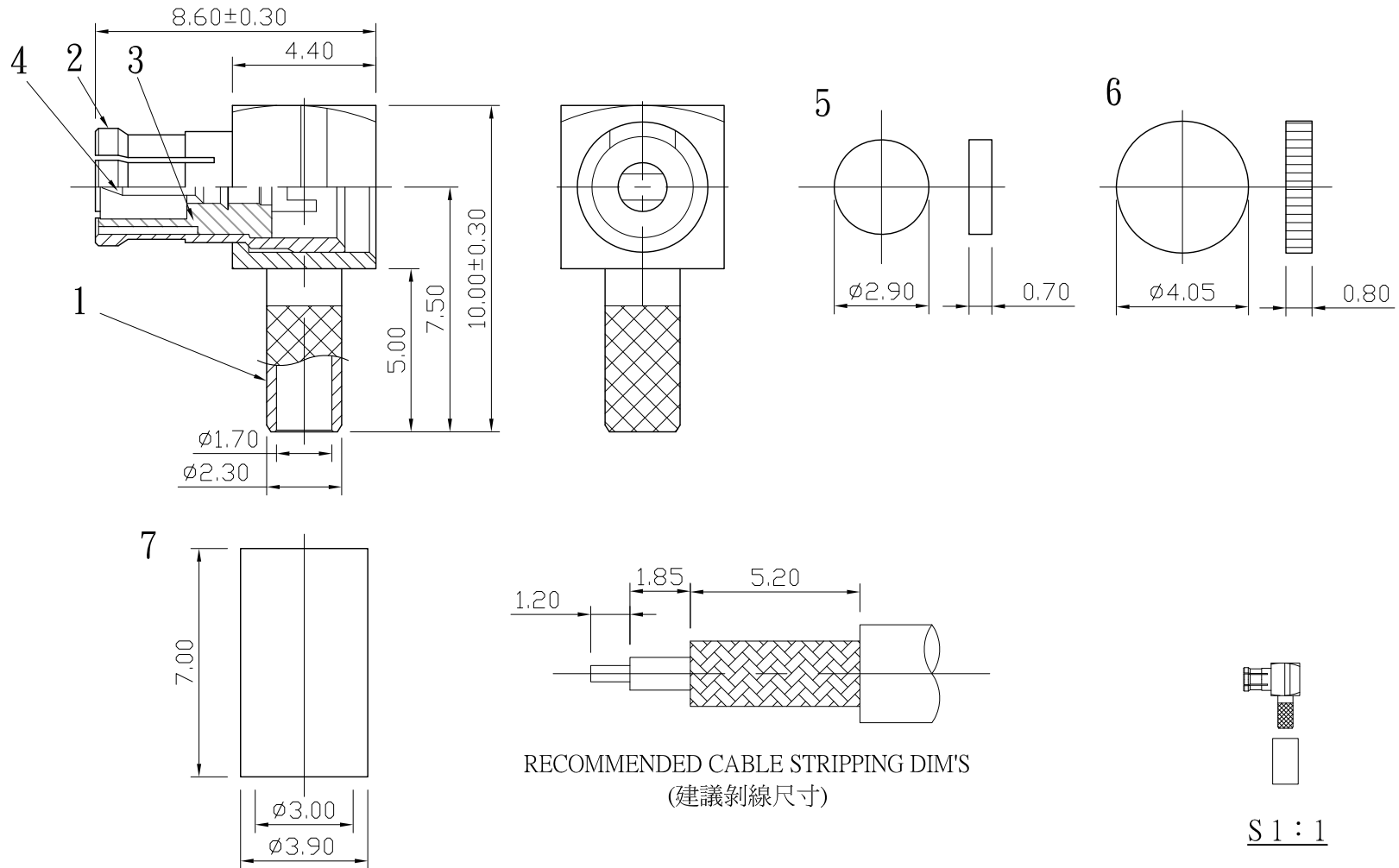



No.	DATE	DESCRIPTION	REV	REMARK : RoHS REQUIREMENT APPLIED (符合RoHS)	DATE	DRAWING NO.
					2008. 07. 31	MCX-102GG-TEF(50)-174U/316U



RECOMMENDED CABLE STRIPPING DIM'S  
(建議剝線尺寸)

S 1 : 1

7	ferrule	1	brass	gold	DIMENSIONS ARE IN MILLIMETERS UNLESS OTHERWISE SPECIFIED TOLERANCES (一般公差) 0.5~6 = ±0.2 >6~30 = ±0.4 >30~120 = ±0.6 >120~315 = ±1 >315~1000 = ±1.6 ANGLES(角度) = ±5°	CHECKED  DRAWN <i>Lala</i> DATE 2007. 03. 30	 <b>雅鈦企業有限公司</b> Aec Connectors Co., Ltd.				
6	cap	1	brass	gold							
5	insulator	1	teflon	white							
4	contact pin	1	brass	gold							
3	insulator	1	teflon	white							
2	body	1	beryllium copper	gold							
1	body	1	brass	gold							
NO.	Description	Unit	Materials	Finish	Drawing No.	SCALE	5 : 1	UNIT	MM	FILE NO.	DRAWING\RF\MCX\MC-1002GTG-RC1715
TITLE MCX R/A MALE CRIMP FOR RG-174/U,188/U,316/U DRAWING NO. MC-1002GTG-RC1715											