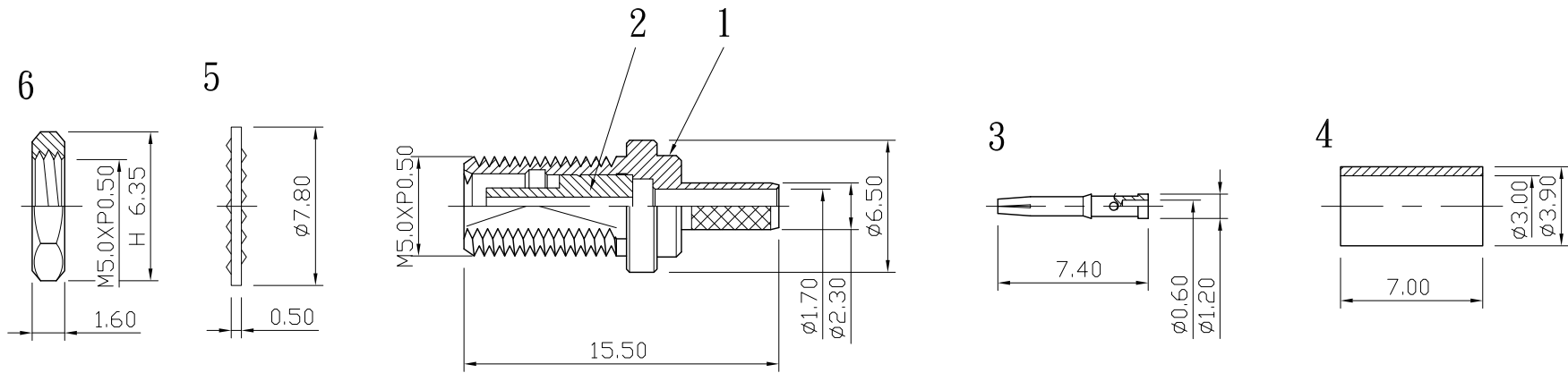
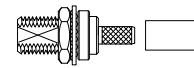



No.	DATE	DESCRIPTION	REV	REMARK : RoHS REQUIREMENT APPLIED (符合RoHS)	DATE	DRAWING NO.
					2008. 09. 25	MCX-105GG(BeCu)-TEF(50)-174U/316U



RECOMMENDED CABLE STRIPPING DIM'S  
(建議剝線尺寸)



S 1 : 1

7						DIMENSIONS ARE IN MILLIMETERS UNLESS OTHERWISE SPECIFIED TOLERANCES (一般公差) 0.5~6 = ±0.2 >6~30 = ±0.4 >30~120 = ±0.6 >120~315 = ±1 >315~1000 = ±1.6 ANGLES(角度) = ±5°	CHECKED	 雅鈦企業有限公司 Aec Connectors Co., Ltd.	
6	nut	1	brass	gold					
5	washer	1	brass	gold					
4	ferrule	1	brass	gold					TITLE MCX FEMALE BULKHEAD CRIMP FOR RG-174/U,188/U,316/U
3	contact pin	1	beryllium copper	gold			DRAWN <i>Lala</i>		DRAWING NO. MC-1005GTG-SC1725
2	insulator	1	teflon	white			DATE 2007. 12. 25		FILE NO. DRAWING\RFMCX\MC-1005GTG-SC1725
1	body	1	brass	gold					
NO.	Description	Unit	Materials	Finish	Drawing No.	SCALE 3 : 1	UNIT	MM	