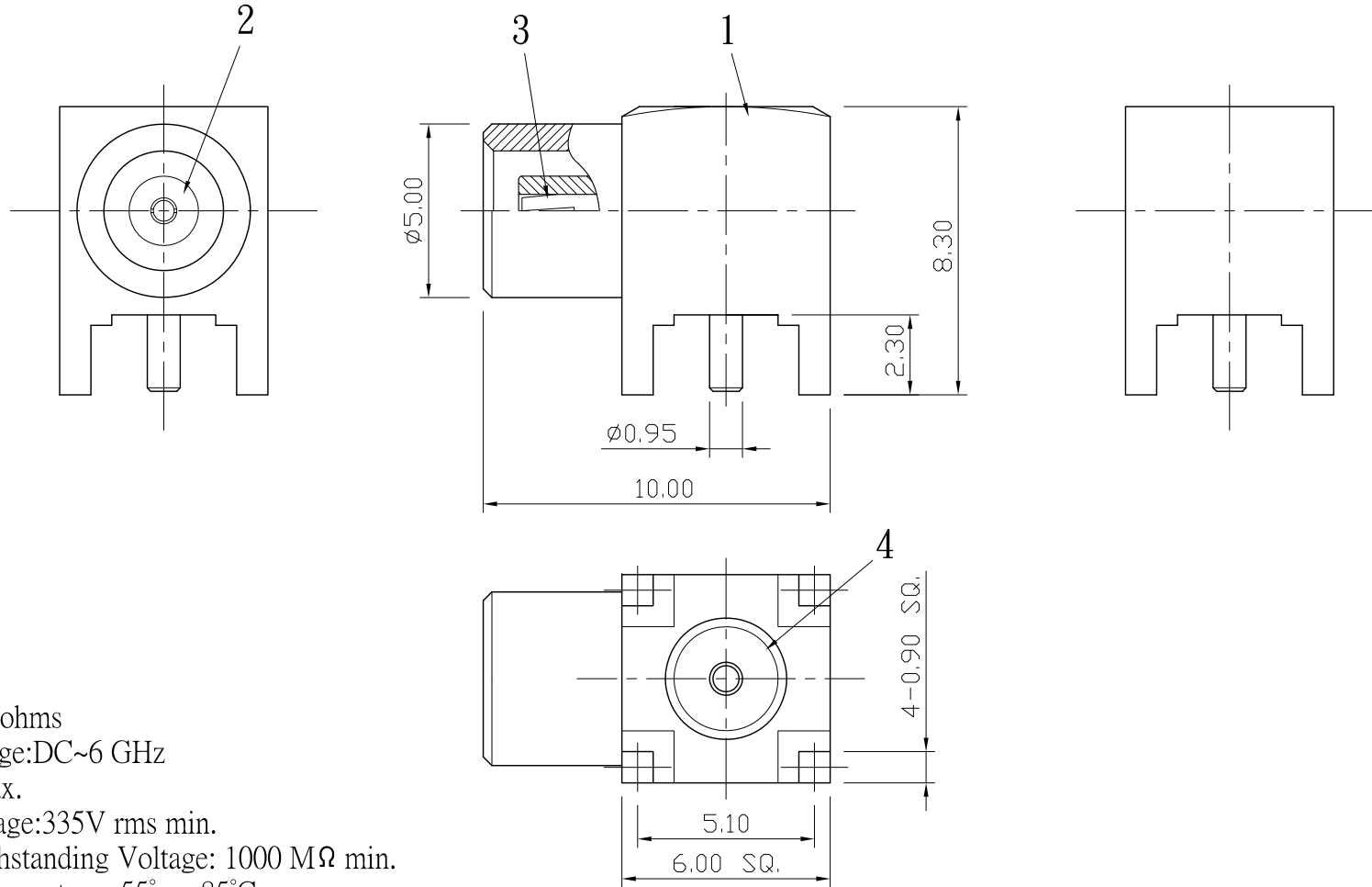



No.	DATE	DESCRIPTION	REV	REMARK : RoHS REQUIREMENT APPLIED (符合RoHS)	DATE	DRAWING NO.
△	2009. 12. 01	Drawing update 圖面更新			2009. 11. 25	MCX-106GG(BeCu)-TEF(50)
△	2013. 10. 28	Drawing update 圖面更新				



Electricals:

- 1.Impedance:50 ohms
- 2.Frequency range:DC~6 GHz
- 3.VSWR:1.5 max.
- 4.Working Voltage:335V rms min.
- 5.Dielectric Withstanding Voltage: 1000 MΩ min.
- 6.Operating Temperature:-55°c~+85°C

7						DIMENSIONS ARE IN MILLIMETERS UNLESS OTHERWISE SPECIFIED TOLERANCES (一般公差) 0.5~6 = ±0.2 >6~30 = ±0.4 >30~120 = ±0.6 >120~315 = ±1 >315~1000 = ±1.6 ANGLES(角度) = ±5°	CHECKED	 雅鈦企業有限公司 Aec Connectors Co., Ltd.	
6							TITLE		
5							DRAWN		
4	insulator	1	PTFE	white			<i>Chad</i>	MCX FEMALE R/A PCB MOUNT	
3	contact pin	1	phosphor bronze	gold			DATE	DRAWING NO.	
2	insulator	1	PTFE	white			2008. 05. 15	MC-1006GTG-RA0025	
1	body	1	brass	gold			FILE NO. DRAWINGRFBMCXMC-1006GTG-RA0025		
NO.	Description	Unit	Materials	Finish	Drawing No.	SCALE	5 : 1	UNIT	MM