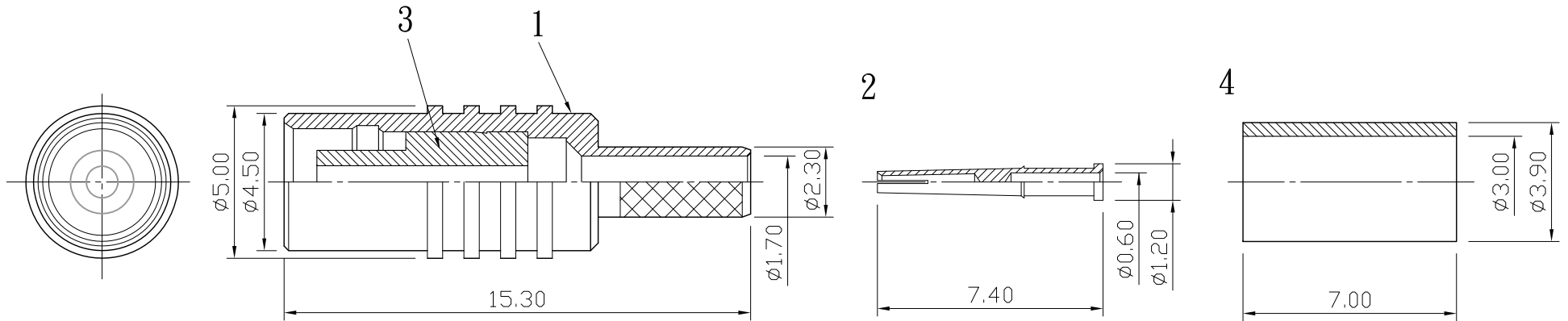
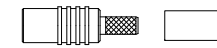



No.	DATE	DESCRIPTION	REV	REMARK : RoHS REQUIREMENT APPLIED (符合RoHS)	DATE	DRAWING NO.
					2008. 09. 16	MCX-107GG-TEF(50)-174U/316U



RECOMMENDED CABLE STRIPPING DIM'S
(建議剝線尺寸)



S 1 : 1

7						DIMENSIONS ARE IN MILLIMETERS UNLESS OTHERWISE SPECIFIED TOLERANCES (一般公差) 0.5~6 = ±0.2 >6~30 = ±0.4 >30~120 = ±0.6 >120~315 = ±1 >315~1000 = ±1.6 ANGLES(角度) = ±5°	CHECKED	 雅鈦企業有限公司 Aec Connectors Co., Ltd.			
6					DRAWN		TITLE				
5									MCX FEMALE STRAIGHT CRIMP FOR RG-174/U,188/U,316/U		
4	ferrule	1	brass	gold				DRAWING NO.			
3	insulator	1	teflon	white				MC-1007GTG-SC1725			
2	contact pin	1	phosphor bronze	gold			DATE				
1	body	1	brass	gold			2007. 04. 23				
NO.	Description	Unit	Materials	Finish	Drawing No.	SCALE	5 : 1	UNIT	MM	FILE NO.	DRAWING\RF\MCX\MC-1007GTG-SC1725