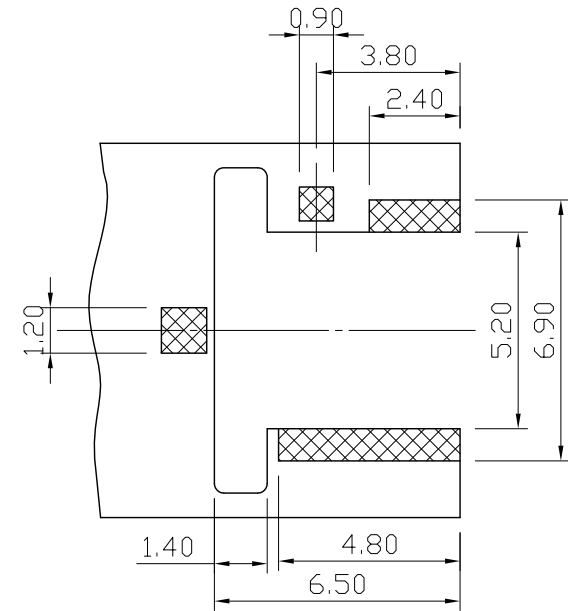
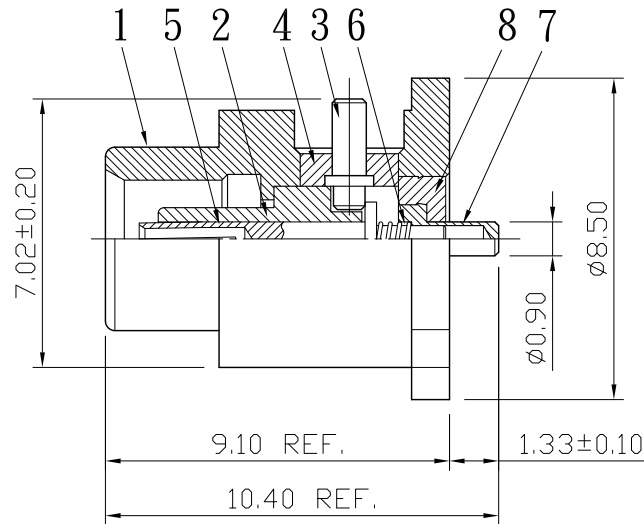
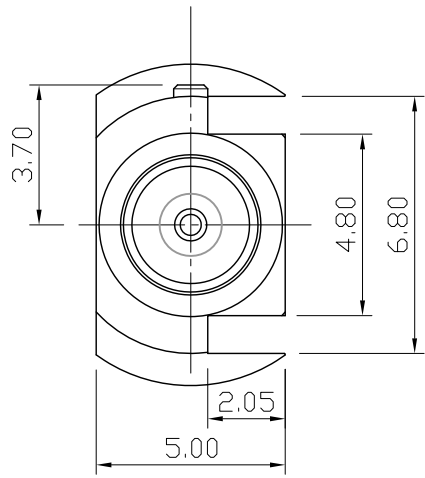
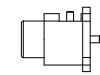


No.	DATE	DESCRIPTION	REV	REMARK : RoHS REQUIREMENT APPLIED (符合RoHS)	DATE	DRAWING NO.
					2009. 01. 22	MCX-108GG(BeCu)-TEF(50)-174U/316U



P.C.B. LAYOUT
(印刷电路板配置)




S 1 : 1

8	insulator	1	PTFE	white	
7	contact pin	1	brass	gold	
6	spring	1	SWP-B	gold	
5	contact pin	1	beryllium copper	gold	
4	insulator	1	PTFE	white	
3	contact pin	1	brass	gold	
2	insulator	1	PTFE	white	
1	body	1	brass	gold	
NO.	Description	Unit	Materials	Finish	Drawing No.

DIMENSIONS ARE IN MILLIMETERS
UNLESS OTHERWISE SPECIFIED
TOLERANCES
(一般公差)
0.5~6 = ±0.2
>6~30 = ±0.4
>30~120 = ±0.6
>120~315 = ±1
>315~1000 = ±1.6
ANGLES(角度) = ±5°

SCALE 5 : 1 UNIT MM

CHECKED
DRAWN *Lala*
DATE 2008. 02. 14

 雅鈦企業有限公司
Aec Connectors Co., Ltd.

TITLE MCX SMT SWITCH EDGE CARD JACK
DRAWING NO. MC-1008GTG-SJ0025
FILE NO. DRAWING\RFMCX\MC-1008GTG-SJ0025