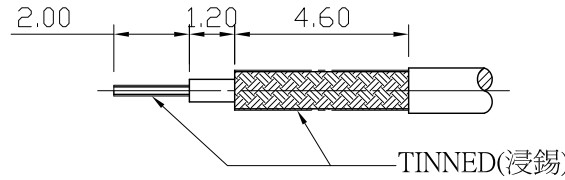
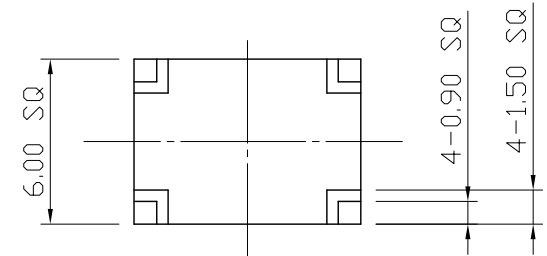


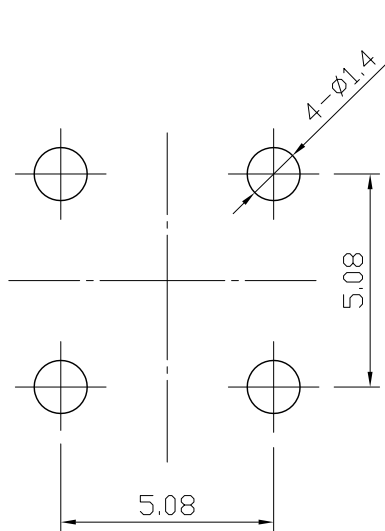
|     |      |             |     |   |              |                               |
|-----|------|-------------|-----|---|--------------|-------------------------------|
| No. | DATE | DESCRIPTION | REV | REMARK : RoHS REQUIREMENT APPLIED<br>(符合RoHS) | DATE         | DRAWING NO.                   |
|     |      |             |     |   | 2009. 02. 03 | MCX-109GG-(BeCu)-TEF(75)-1.13 |



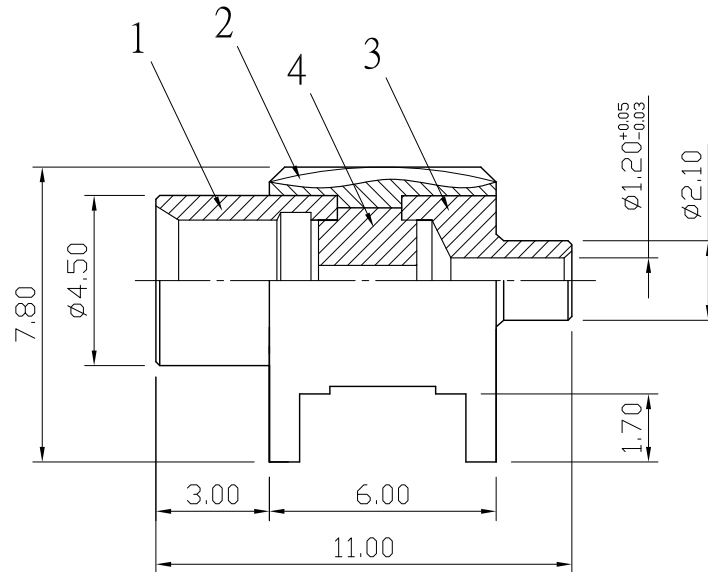
RECOMMENDED CABLE STRIPPING DIM'S  
(建議剝線尺寸)



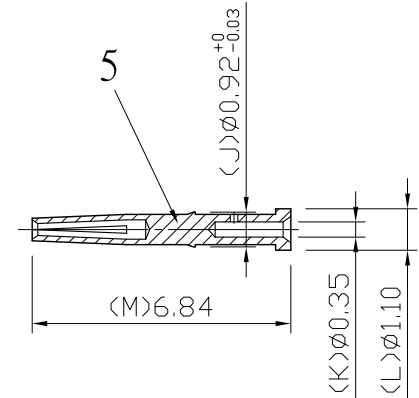
A VIEW  
A 視圖



PCB MOUNTING HOLE  
(印刷電路板架設孔)



A VIEW  
A 視圖



S 1 : 1

|     |             |      |                  |        |             |   |                   |
|-----|-------------|------|------------------|--------|-------------|---|-------------------|
| 7   |             |      |                  |        |             | DIMENSIONS ARE IN MILLIMETERS<br>UNLESS OTHERWISE SPECIFIED TOLERANCES<br>(一般公差)<br>0.5~6 = ±0.2<br>>6~30 = ±0.4<br>>30~120 = ±0.6<br>>120~315 = ±1<br>>315~1000 = ±1.6<br>ANGLES(角度) = ±5° | CHECKED           |
| 6   |             |      |                  |        |             |   |                   |
| 5   | contact pin | 1    | beryllium copper | gold   |             |   |                   |
| 4   | insulator   | 1    | white            | white  |             |   |                   |
| 3   | shell       | 1    | brass            | gold   |             |   |                   |
| 2   | body        | 1    | brass            | gold   |             |   |                   |
| 1   | housing     | 1    | brass            | gold   |             |   |                   |
| NO. | Description | Unit | Materials        | Finish | Drawing No. | SCALE 5 : 1 UNIT MM   | DATE 2007. 10. 26 |


**雅鈦企業有限公司**  
 Aec Connectors Co., Ltd.

TITLE  
MCX "T" JACK CRIMP FOR 1.13 CABLE

DRAWING NO.  
MC-1009GTG-SC0227

FILE NO. DRAWINGR\FMCMC-1009GTG-SC0227