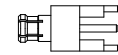
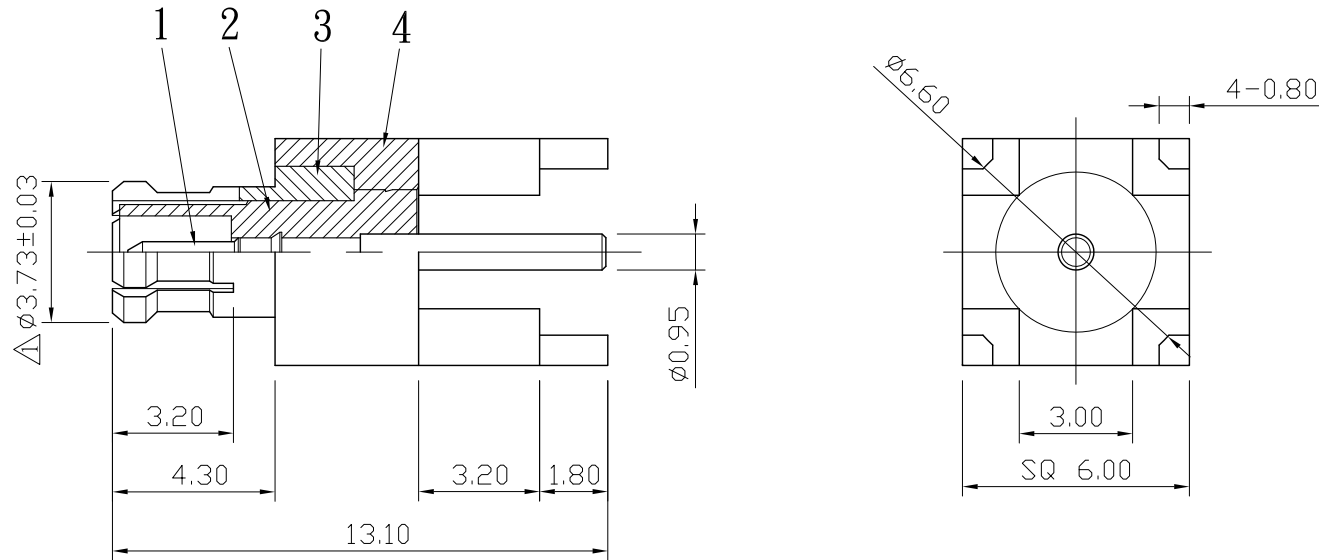



No.	DATE	DESCRIPTION	REV	REMARK : RoHS REQUIREMENT APPLIED (符合RoHS)	DATE	DRAWING NO.
△	2009. 01. 08	Original dimention □3.65±0.02	A			



S 1 : 1

7						DIMENSIONS ARE IN MILLIMETERS UNLESS OTHERWISE PECIFIED TOLERANCES (一般公差) 0.5~6 = ±0.2 >6~30 = ±0.4 >30~120 = ±0.6 >120~315 = ±1 >315~1000 = ±1.6 ANGLES(角度) = ±5°	CHECKED	 雅鈦企業有限公司 Aec Connectors Co., Ltd.	
6					DRAWN Lala				TITLE MCX PLUG PCB MOUNT
5							DATE 2008. 12. 26		DRAWING NO. MC-1011NTG-SA0015
4	body	1	brass	nickel			FILE NO.		DRAWING\RF\MCX\MC-1011NTG-SA0015
3	shell	1	beryllium copper	nickel					
2	insulator	1	teflon	white					
1	contact pin	1	brass	gold					
NO.	Description	Unit	Materials	Finish	Drawing No.	SCALE	5 : 1	UNIT	MM